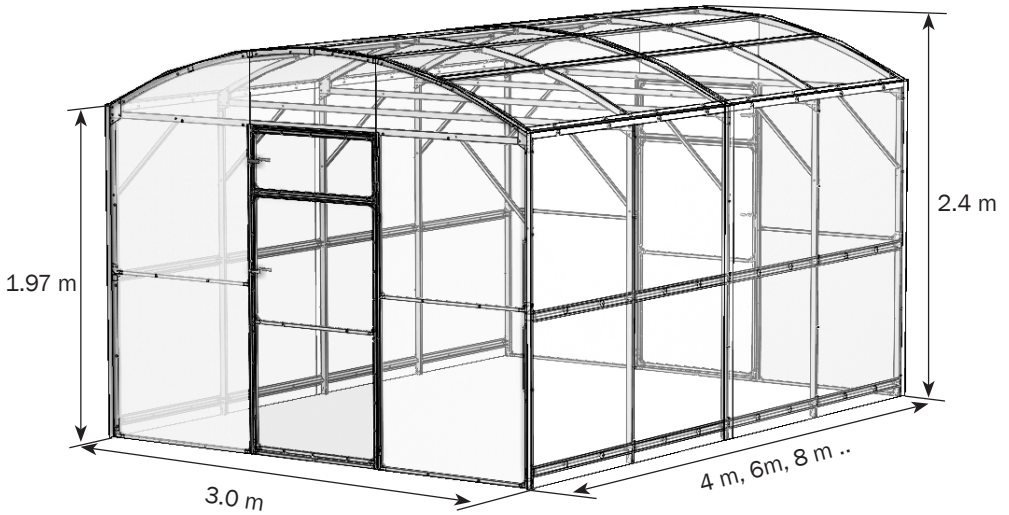
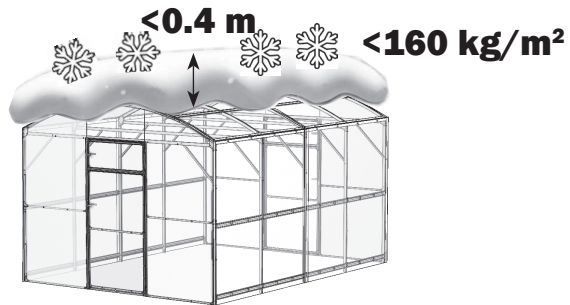
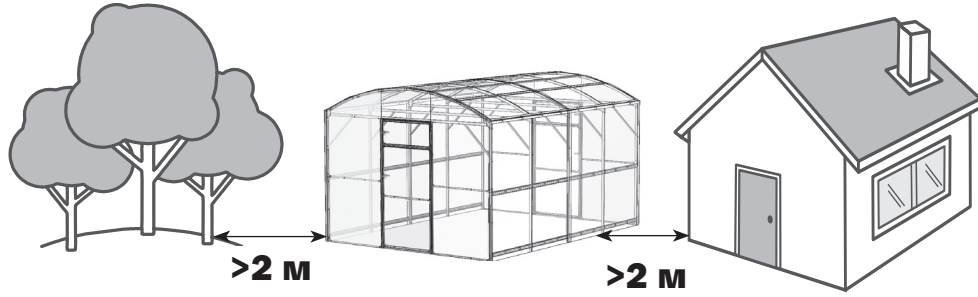


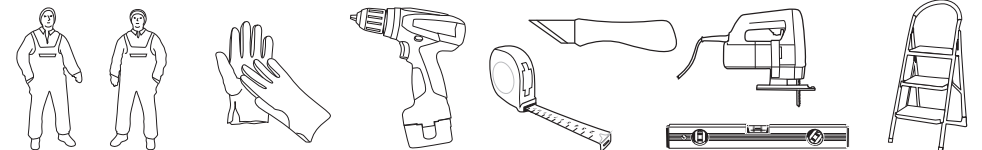
PRIMA-3

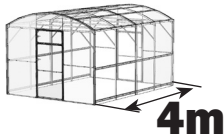


















model 2022










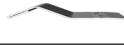
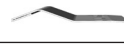




















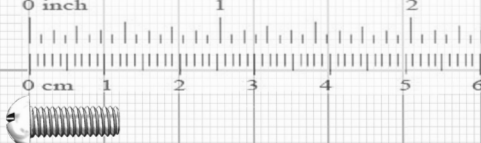

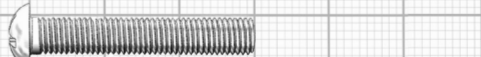

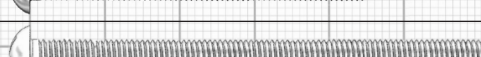









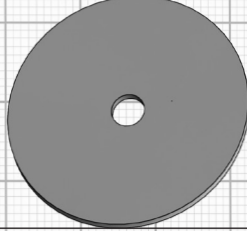
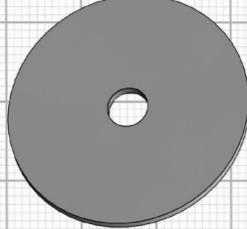
L		
4 m	0	x 4
6 m	x 1	x 6
8 m	x 2	x 7
10 m	x 3	x 9
12 m	x 4	x 10
14 m	x 5	x 12
16 m	x 6	x 13
18 m	x 7	x 15
20 m	x 8	x 16



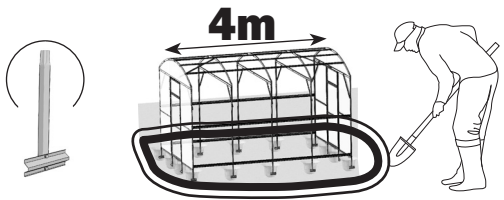



				
№ 1				
1	2		0.98 m	x 36
2	УС		1.08 m	x 2
№ 2				
3	8-2		1.484 m	x 2
4	8-1		1.480 m	x 2
5	11		0.99 m	x 4
6	9-2		1.89 m	x 2
7	9-1		1.89 m	x 2
8	12		1.48 m	x 2
9	12-1		1.48 m	x 2
10	12-2		0.36 m	x 2
11	12-4		0.36 m	x 2
12	13-1		0.85 m	x 8
13	13		0.85 m	x 2
14	14		0.7m	x 10
№ 3				
15	4BT		1.59 m	x 2
16	4BT-1		1.59 m	x 2
17	4		1.59 m	x 3
18	4-1		1.59 m	x 3


№ 4				
19	10		1.89 m	x 6
20	10-2		1.89 m	x 2
21	10-1		1.89 m	x 2
22	5		1.54 m	x 3
23	5-1		1.54 m	x 3
24	5T		1.54 m	x 2
25	5T-1		1.54 m	x2
№ 5				
26	-		1.02 m	x 8
27	Y1		0.75 m	x 2
28	Y2		0.75 m	x 2
29	Y8		0.75 m	x 2
30	Y9		0.75 m	x 2
31	Y10		0.41 m	x 2
32	Y7		0.85 m	x 4
33	Y17		0.41 m	x 2
№ 6				
34	-			x 27
35	-			x 27
36	-			x 18
37	-			x 8
38	-			x 8

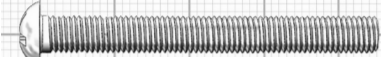




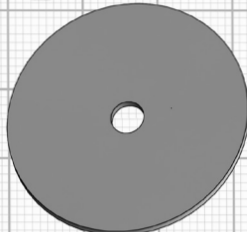
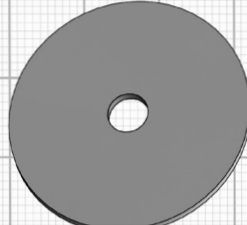
39			x 32
40			x 32
41			x 8
42			x 4
43			x 4
44			x 4
45			x 1
46			x 20
47			x 4
48	M4x12		x 104
49	M4x35		x 32
50	M5x30		x 42
51	M5x45		x 20
52	M5x60		x 10
53	M5x30		x 62
54	M6x16		x 40
55	4.8x19		x 400


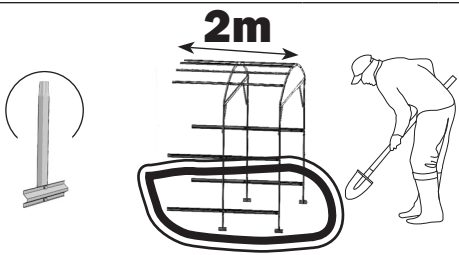


56	M4		x 136
57	M5		x 142
58	M6		x 40
59	10		x 16
60	32x4		x 64
61	32x5		x 10



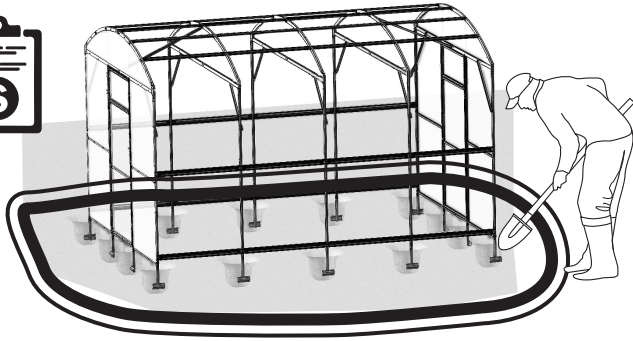
				
№8*				
1	1		0.33 m	x 10
2	1-2		0.26 m	x 4
3	3		0.2 m	x 14

				
№ 1 (2 m)				
1	2		0.98 m	x 18
2	14		0.7 m	x 4
№ 2 (2 m)				
3	4		1.59 m	x 2
4	4-1		1.59 m	x 2
№ 3 (2 m)				
5	-		1.02 m	x 4
6	10		1.89 m	x 4
7	5		1.54 m	x 2
8	5-1		1.54 m	x 2
№ 4 (2 m)				
9	-			x 18
10	-			x 18
11	-			x 8
12	-			x 1
13	M4x12	 		x 52
14	4x35			x 16
15	M5x30			x 28

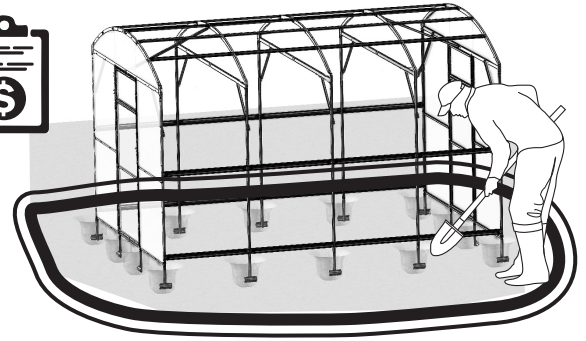
16	M5x45			x 8
17	5x60			x 4
18	4.8x19			x 58
19	M4			x 68
20	M5			x 40
21	32x4			x 32
22	32x5			x 4

 				
№5 (2 m)*				
1	1		0.33 m	x 4
2	3		0.2 m	x 4

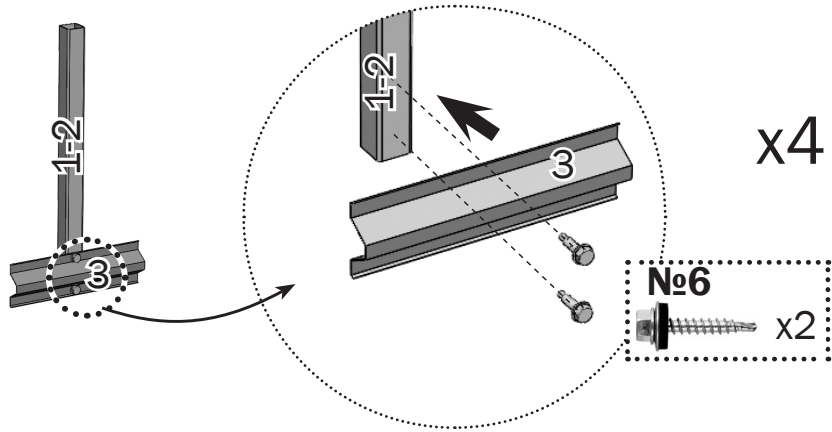
***.1**



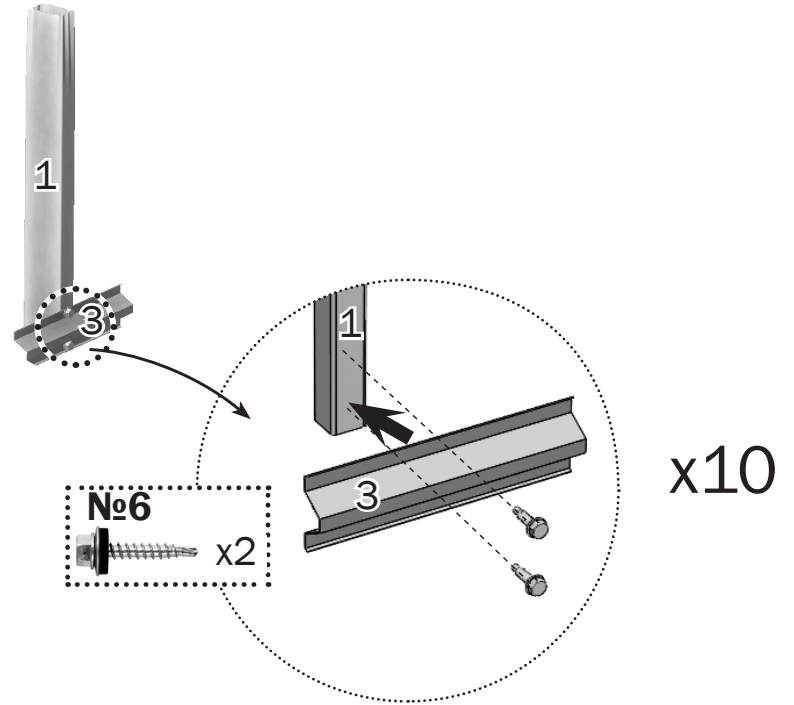
***.2**



№7*
1-2 x1 **№7***
3 x1



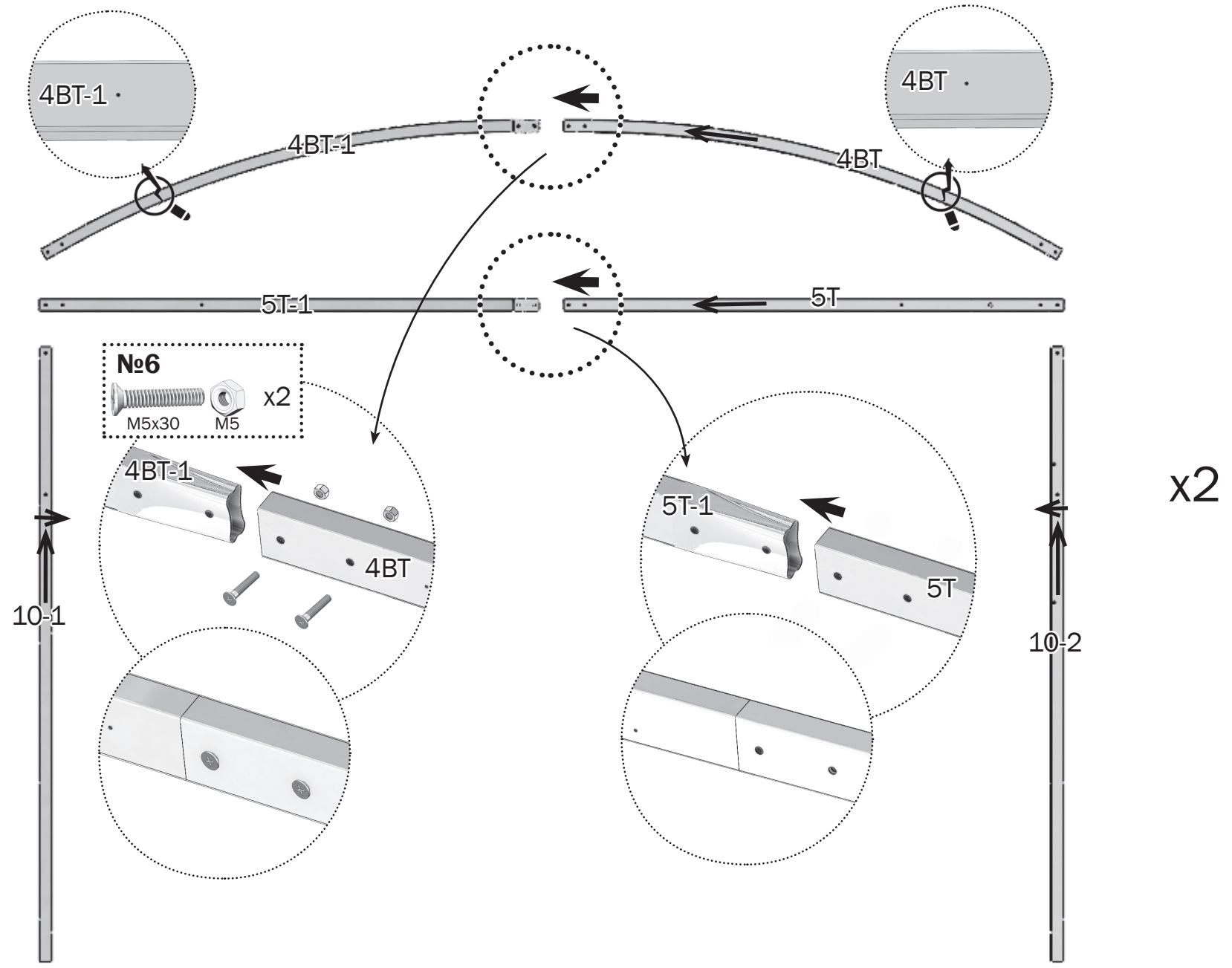
№7*
1 x1 **№7***
3 x1



1.1

- №4 10-1 x1
- №4 5T-1 x1
- №3 4BT-1 x1

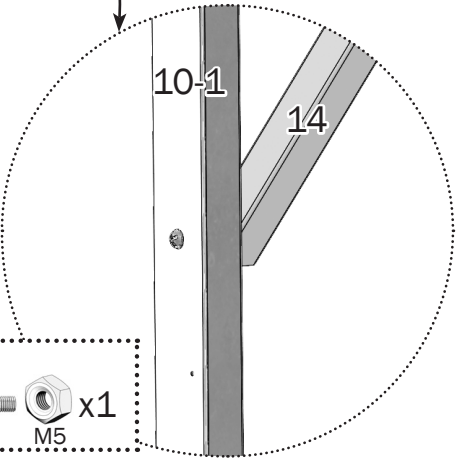
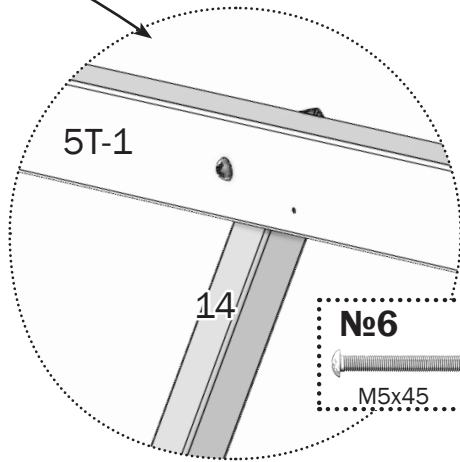
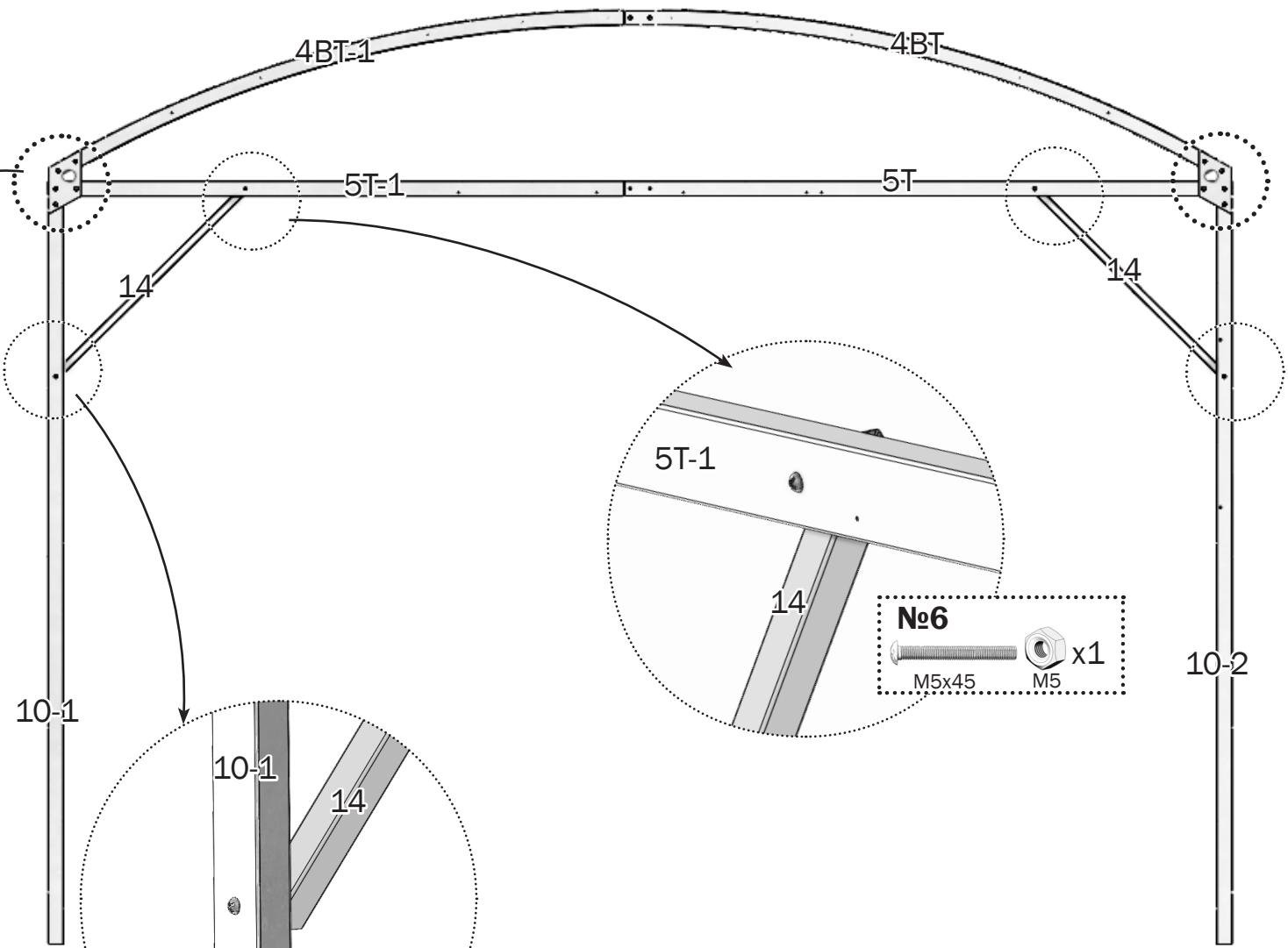
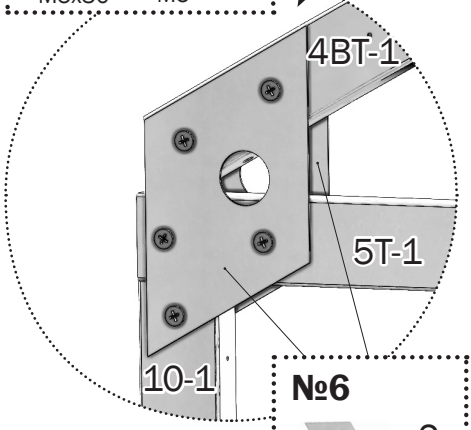
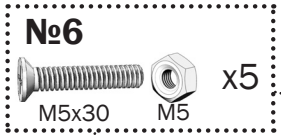
- №3 4BT x1
- №4 5T x1
- №4 10-2 x1



- №6
- M5x30
- M5
- x2

x2

1.2

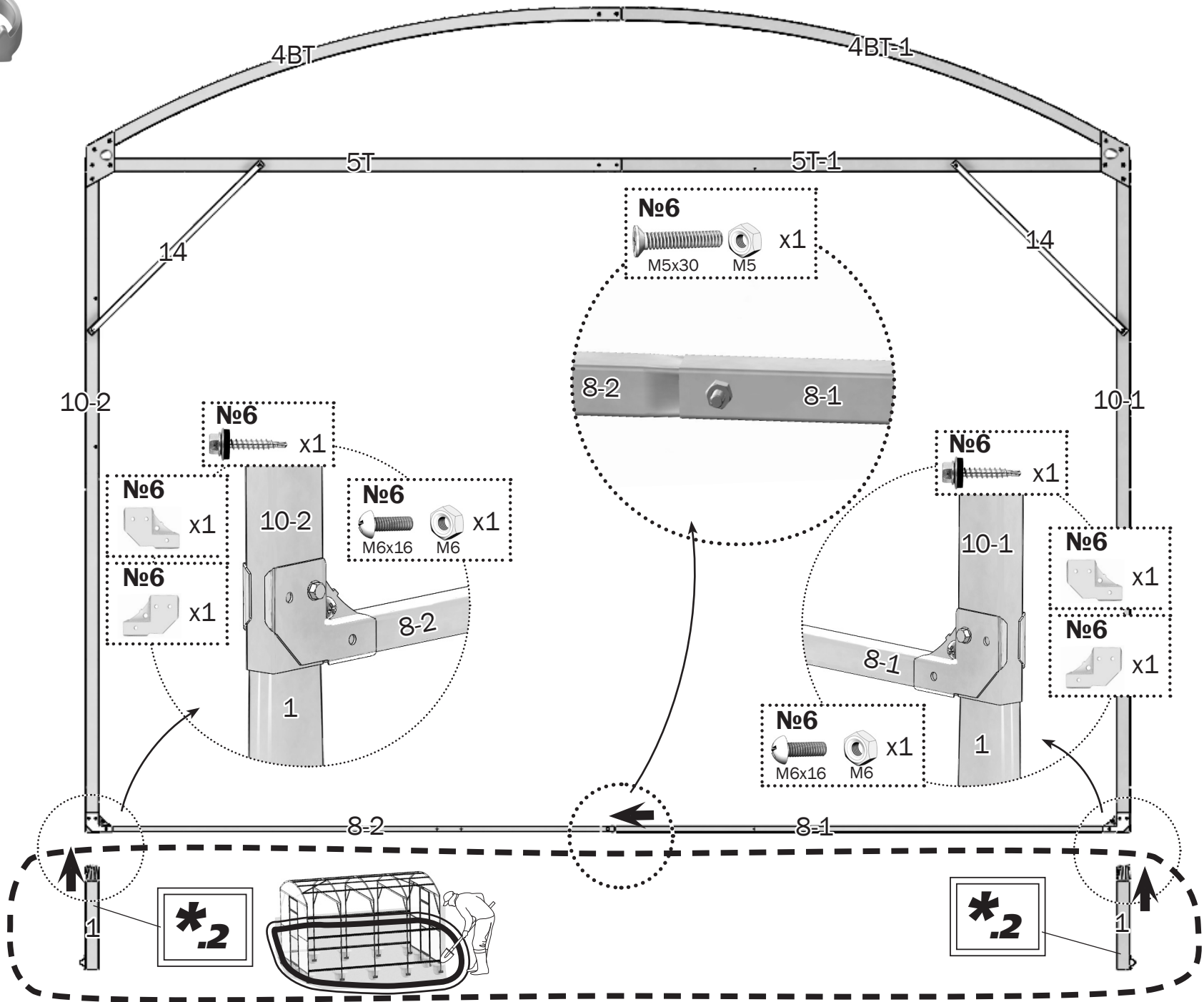


x2

1.3



- №2 8-2 x1
- №2 8-1 x1



x2

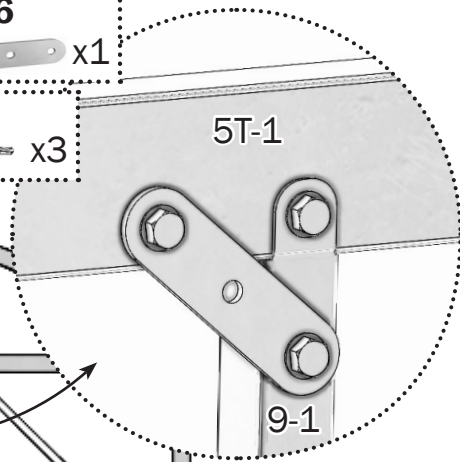
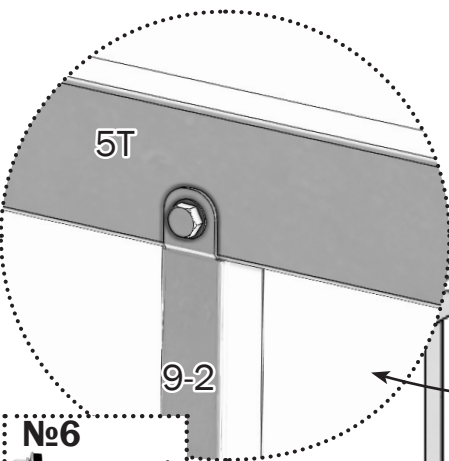
1.4

№2 9-2 x1

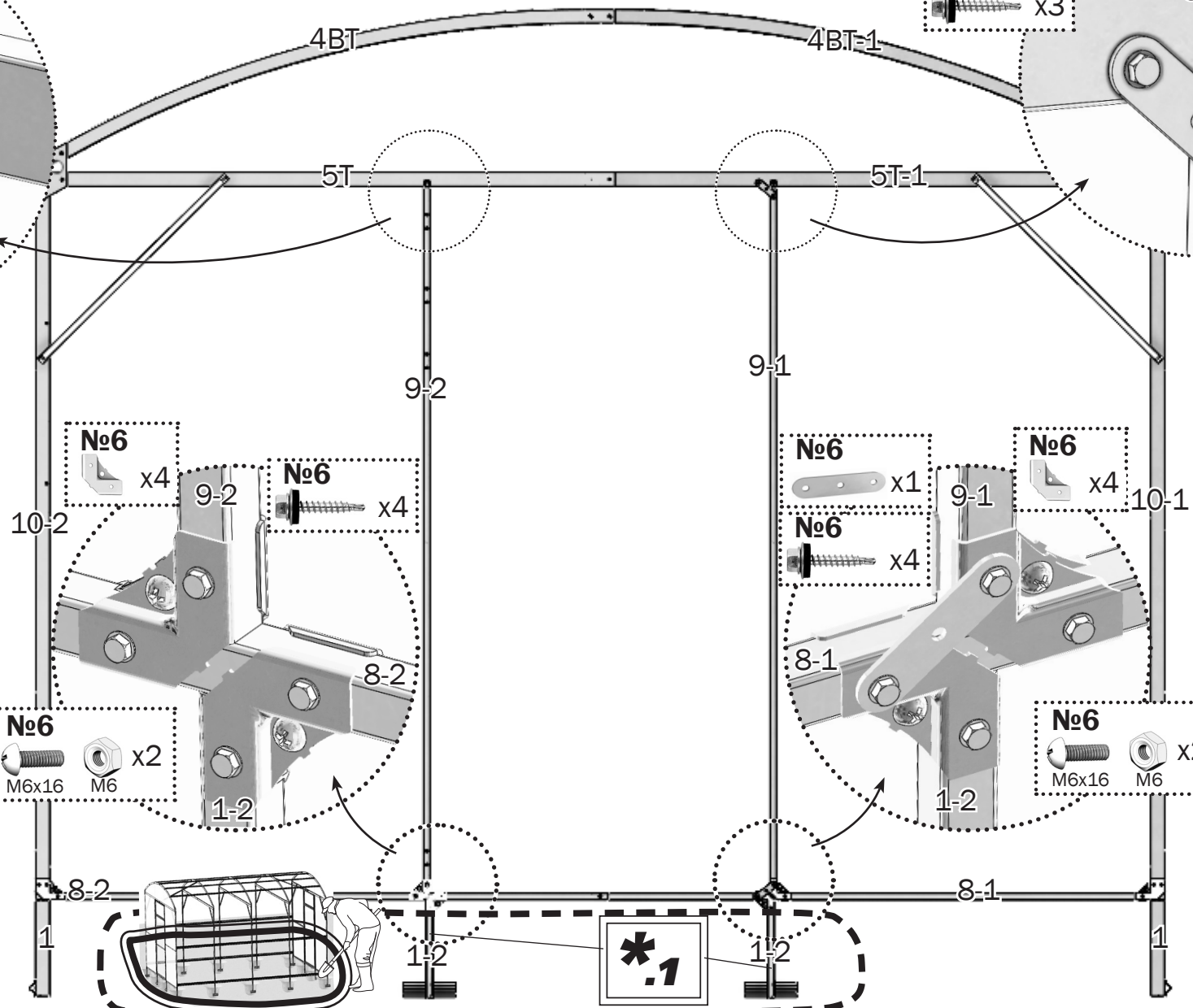
№2 9-1 x1

№6 x1

№6 x3



№6 x1



№6 x4

№6 x4

№6 x1

№6 x4

№6 x4

№6 M6x16 x2 M6

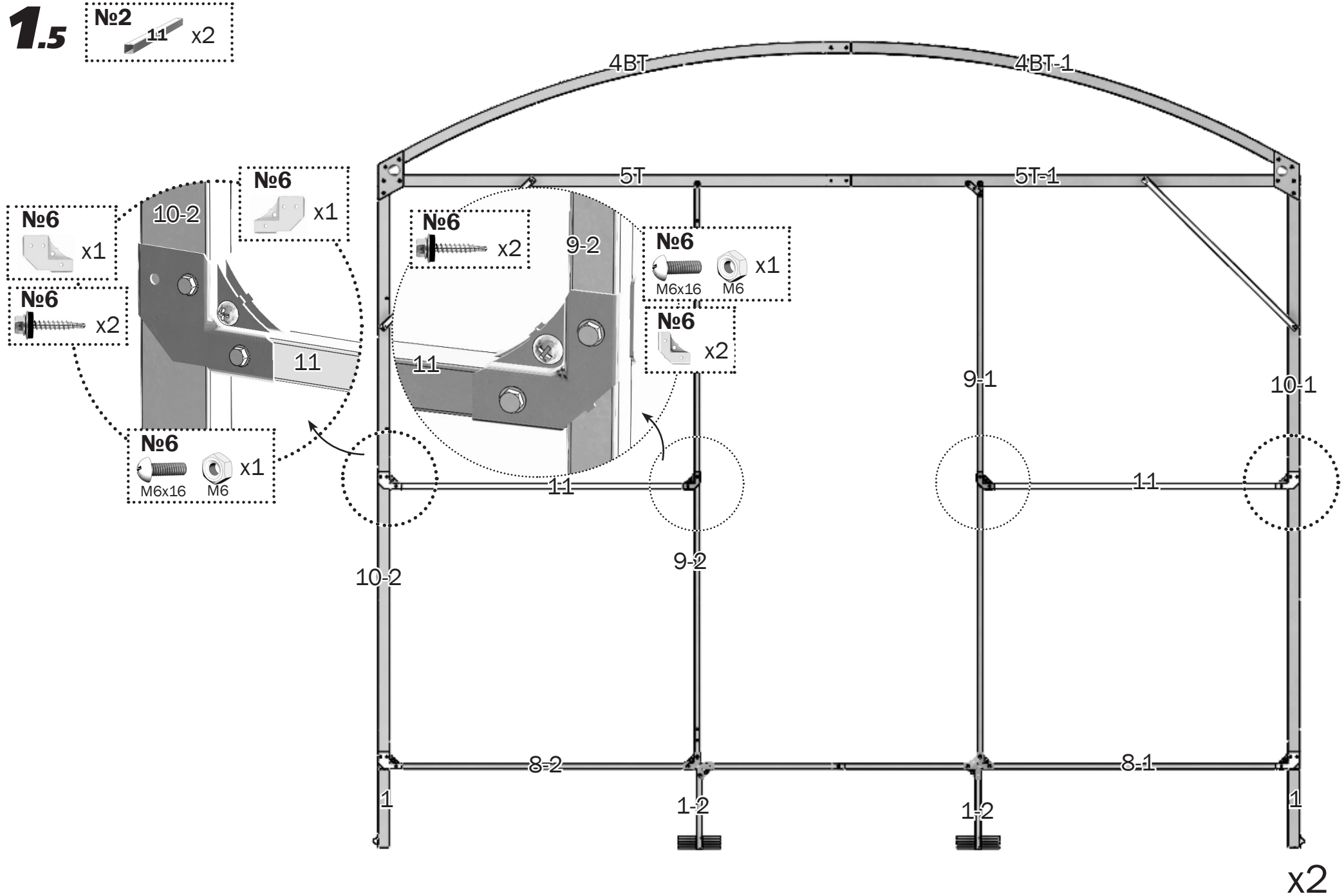
№6 M6x16 x2 M6

x2

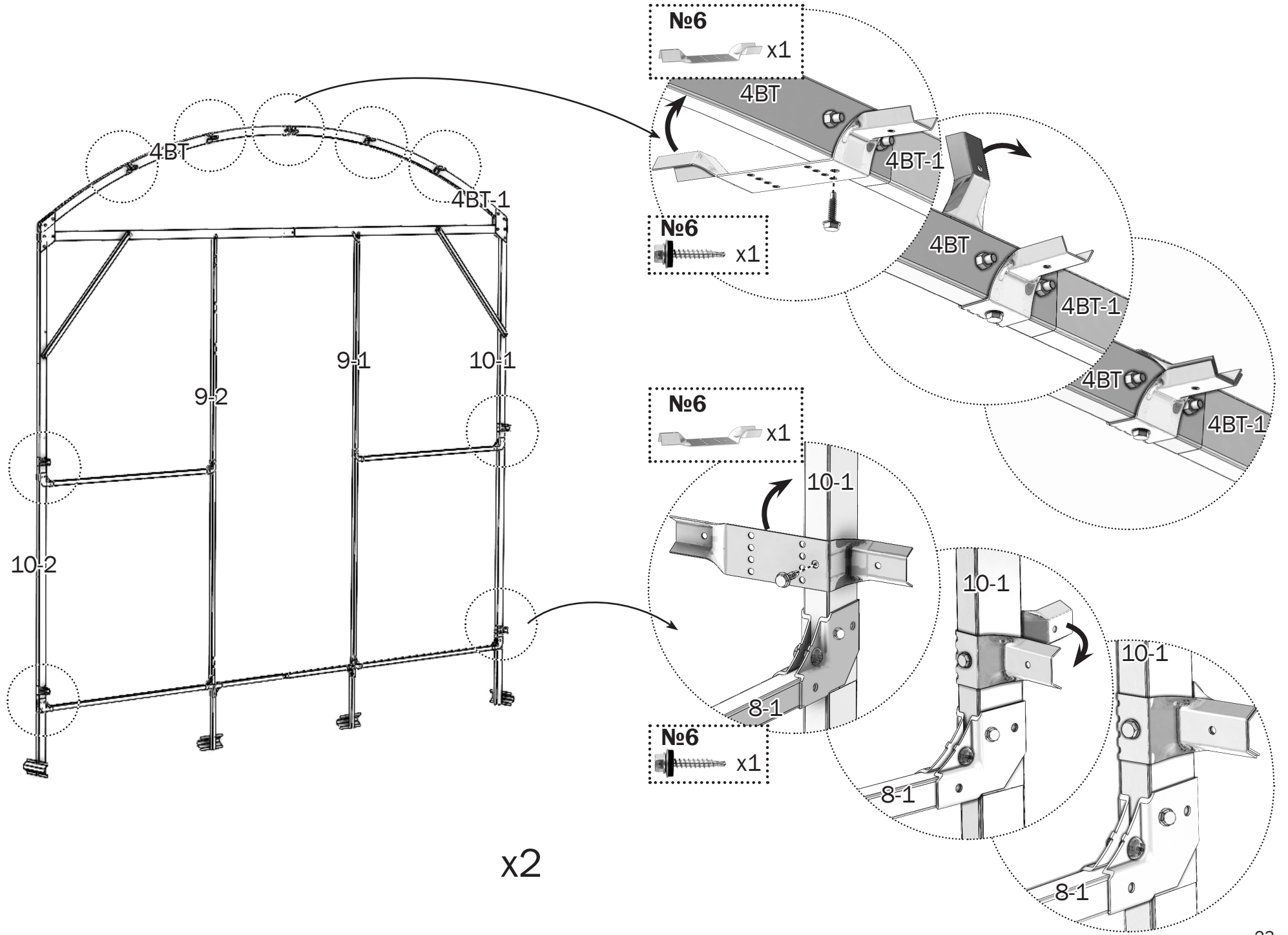
1.5

№2

11 x2



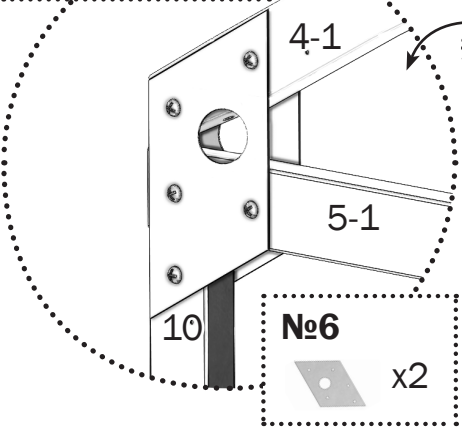
1.6



2.1

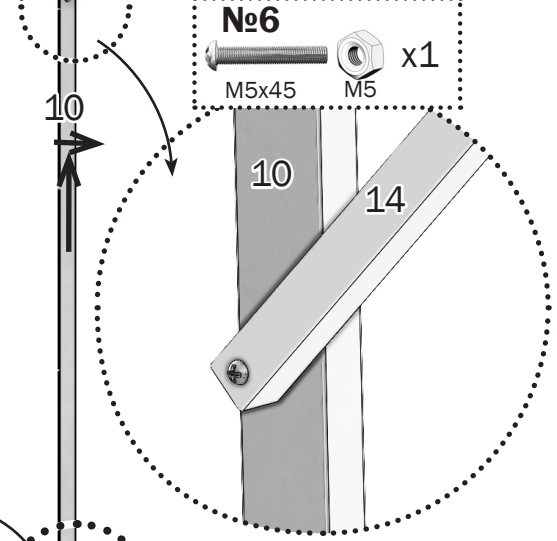
- №4** 10 x2
- №4** 5-1 x1
- №3** 4-1 x1
- №3** 4 x1
- №4** 5 x1
- №2** 14 x2

- №6** M5x45 x5
- M5

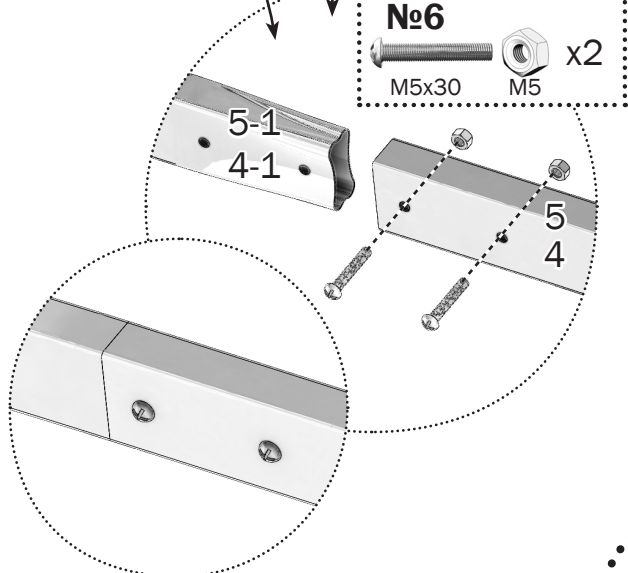


- №6** x2

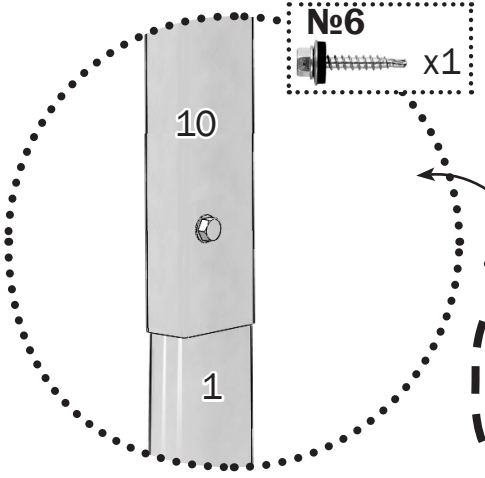
- №6** M5x45 x1
- M5



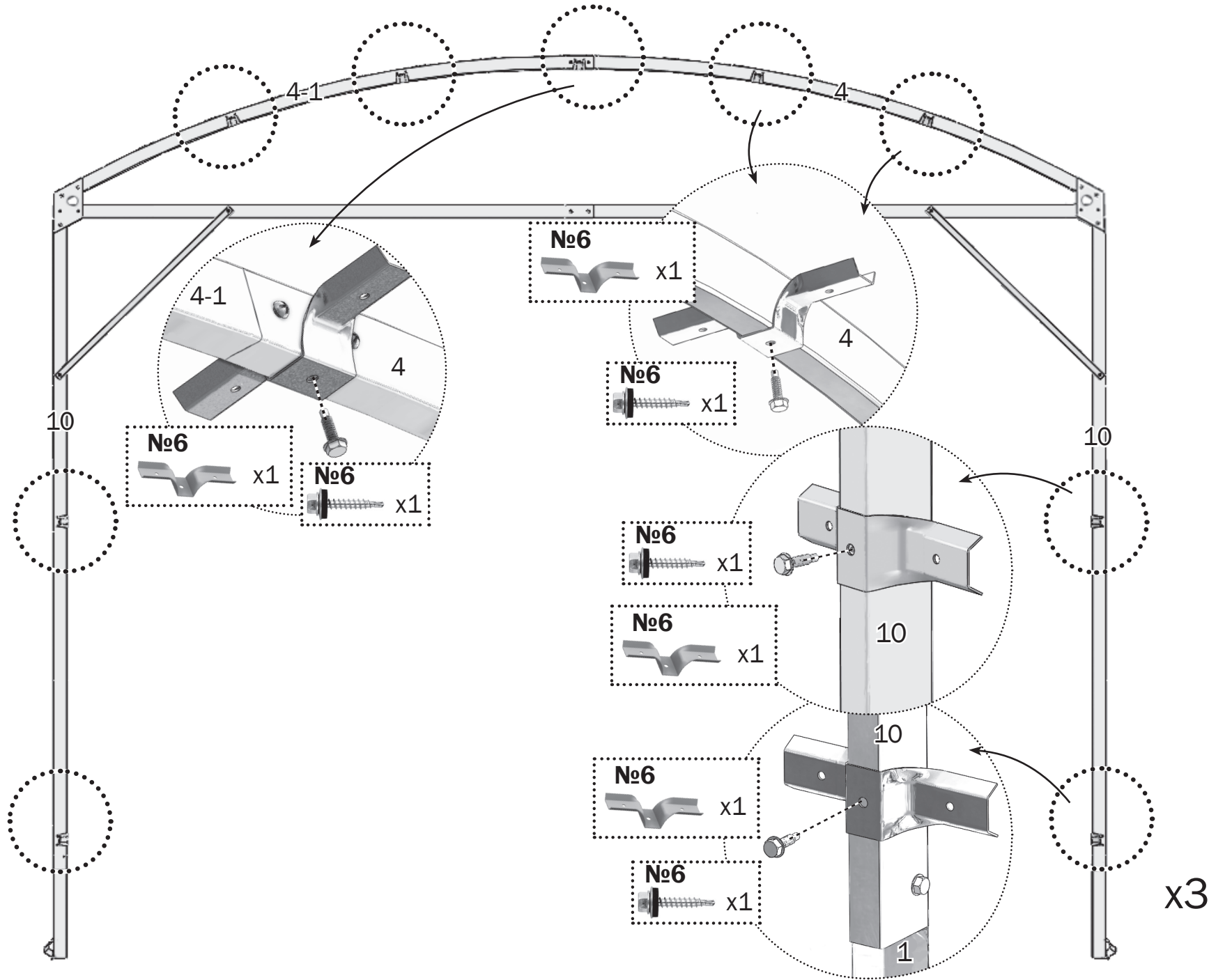
- №6** M5x30 x2
- M5



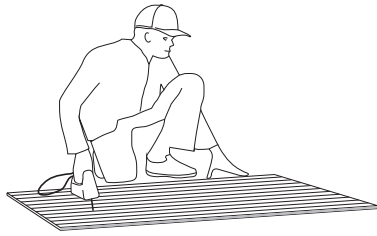
- №6** x1



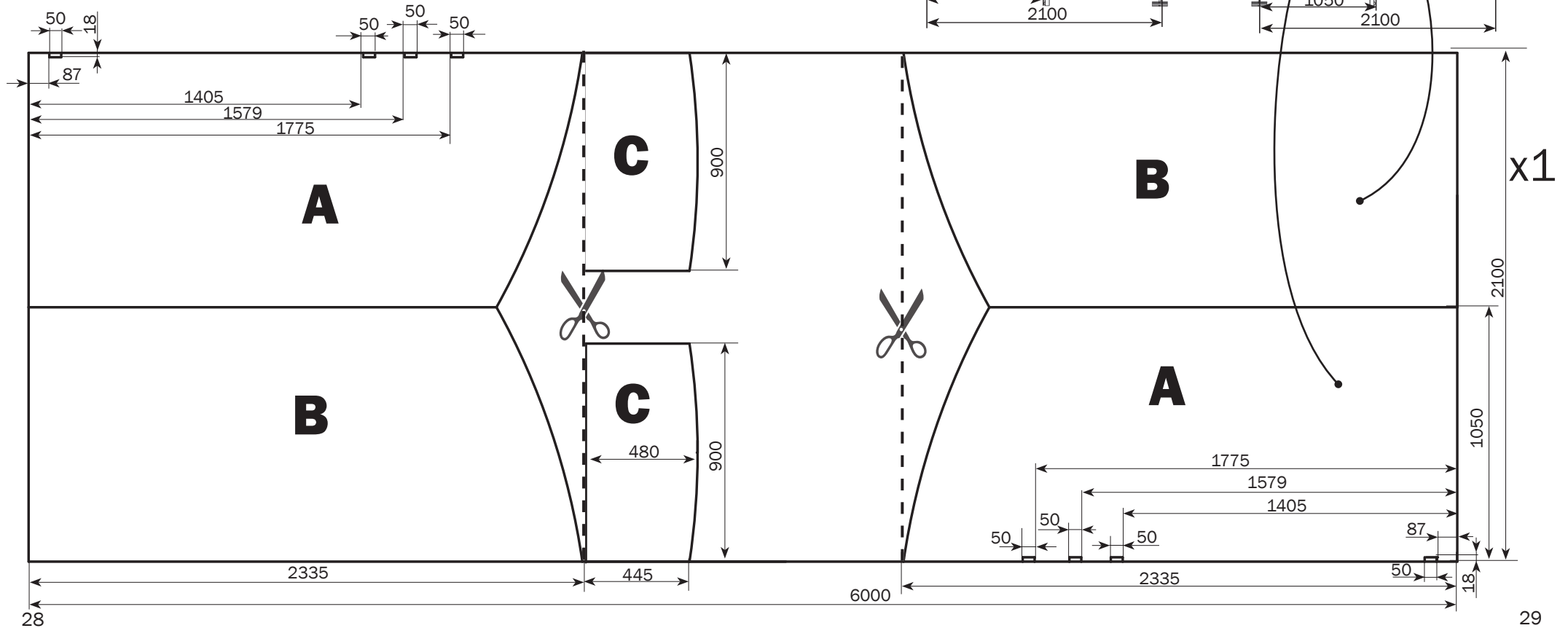
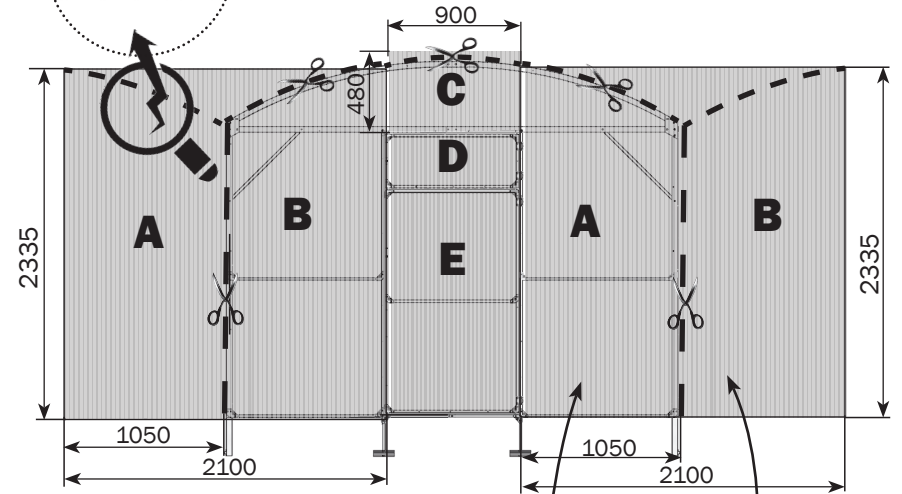
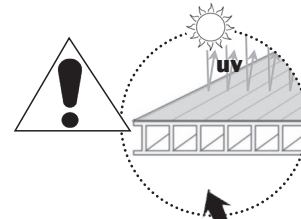
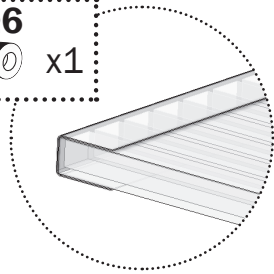
x3

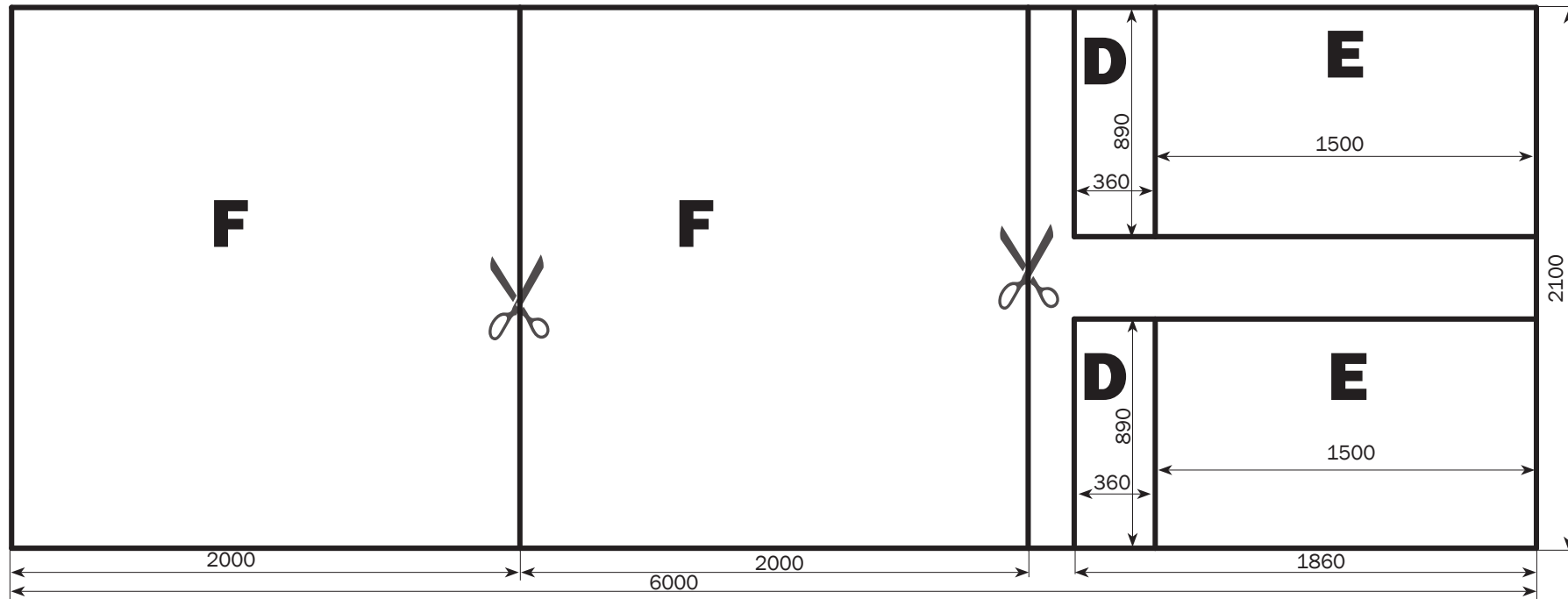


3

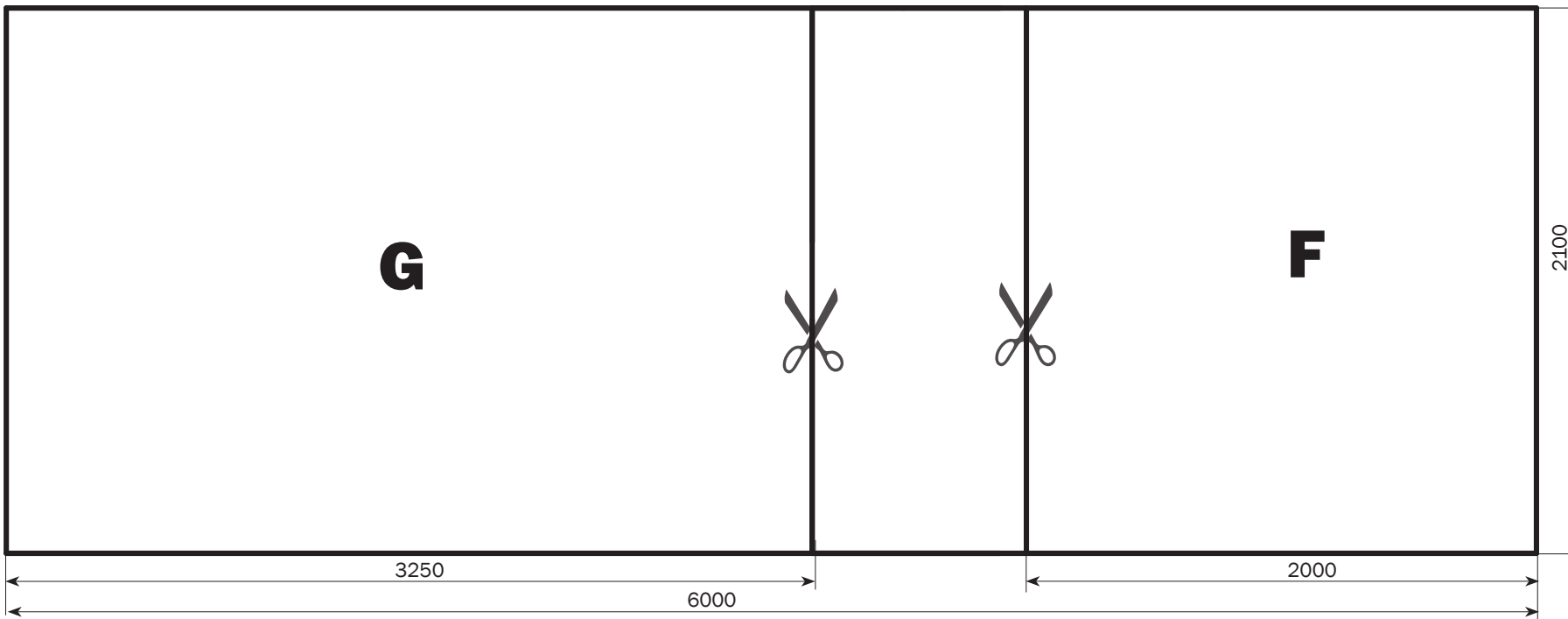


№6
x1



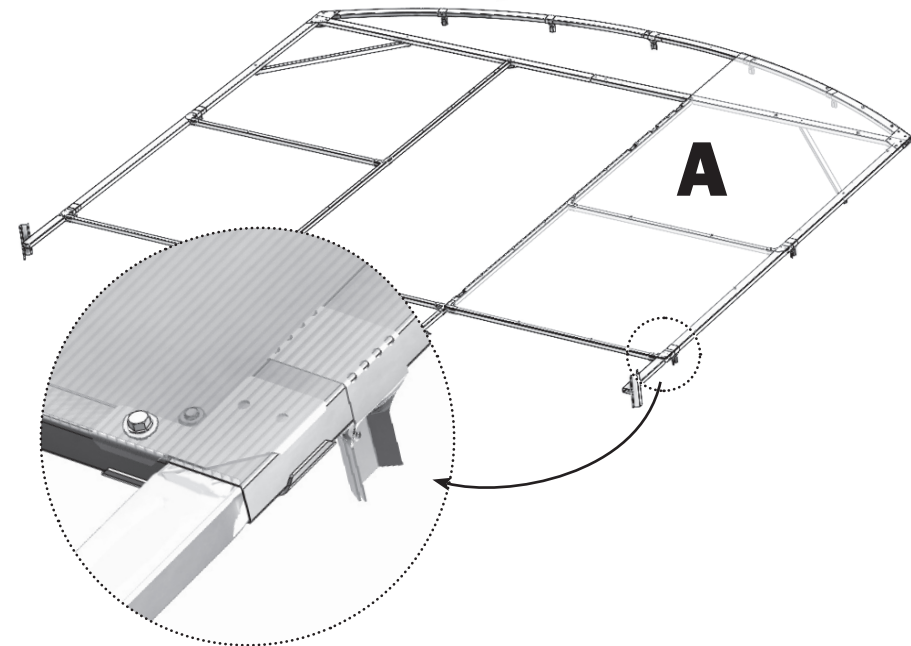
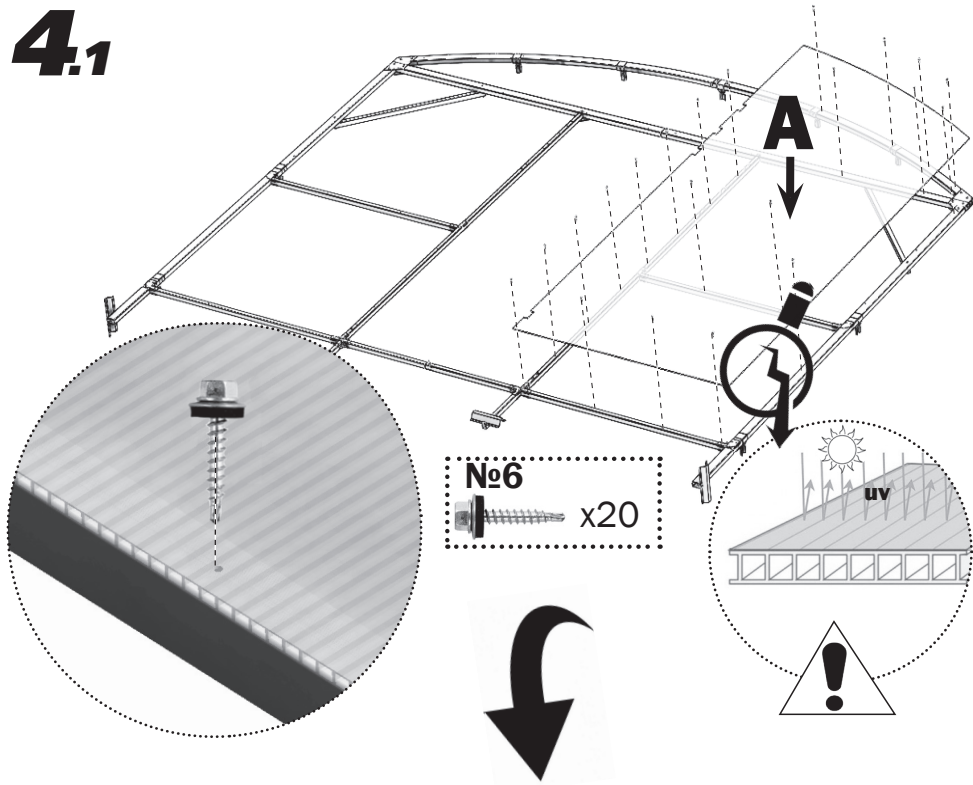


x1

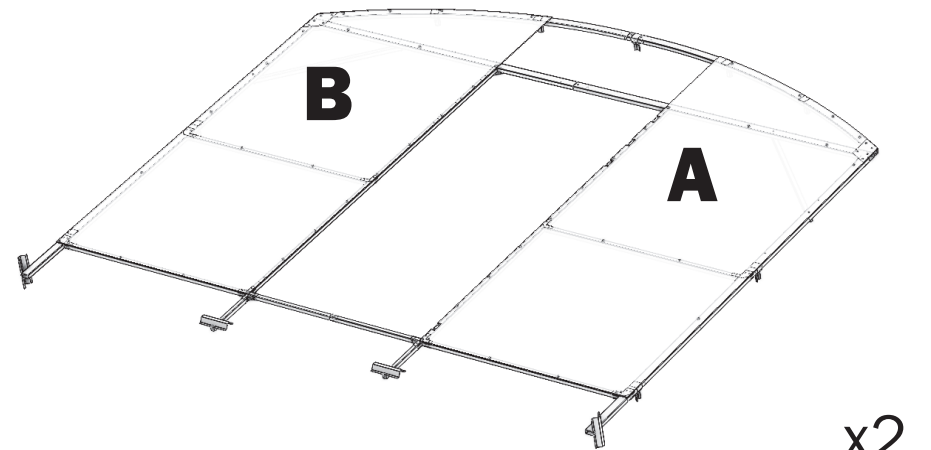
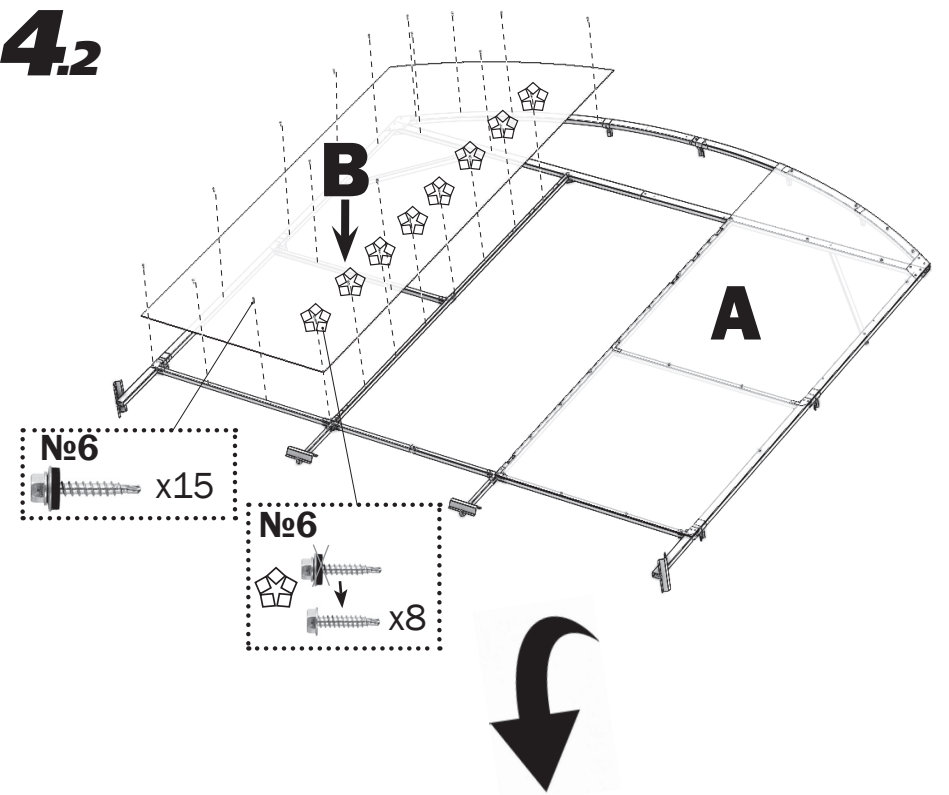


x2

4.1



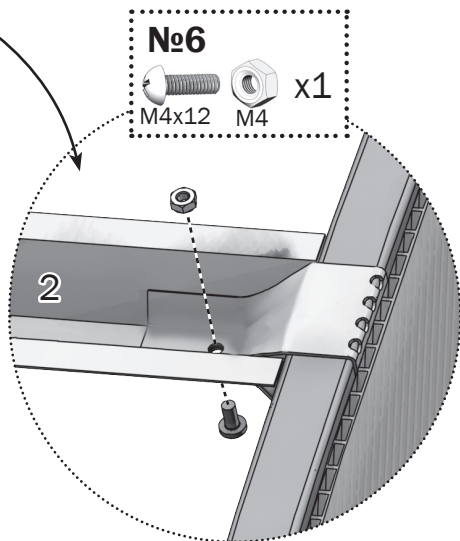
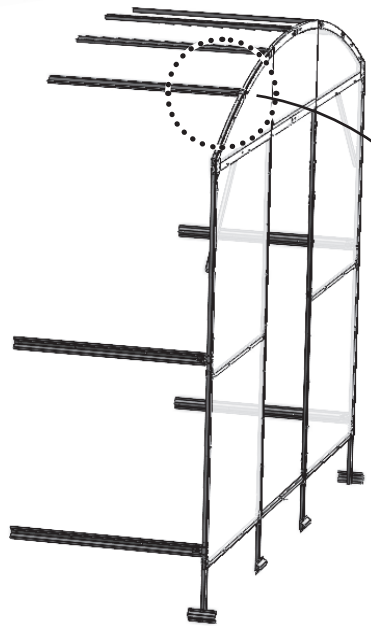
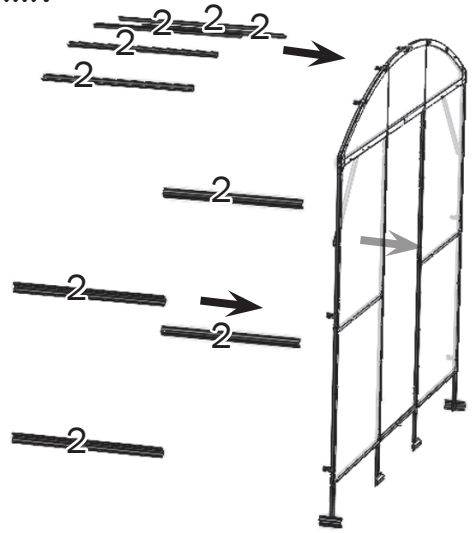
4.2



x2

5.1

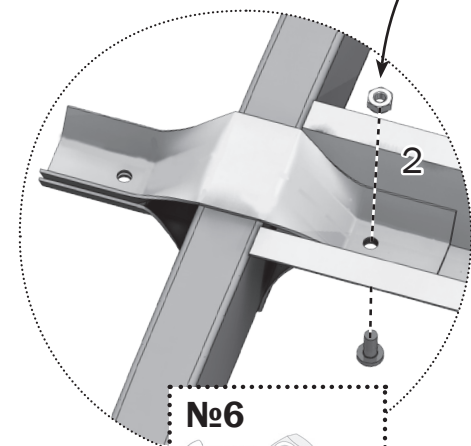
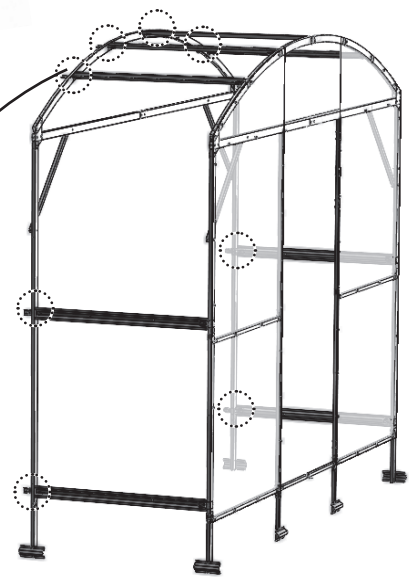
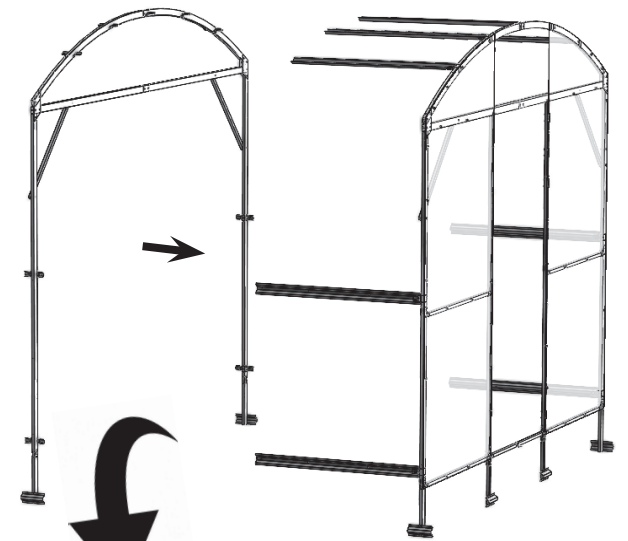
№1 x9



№6 x1
M4x12 M4

5.2

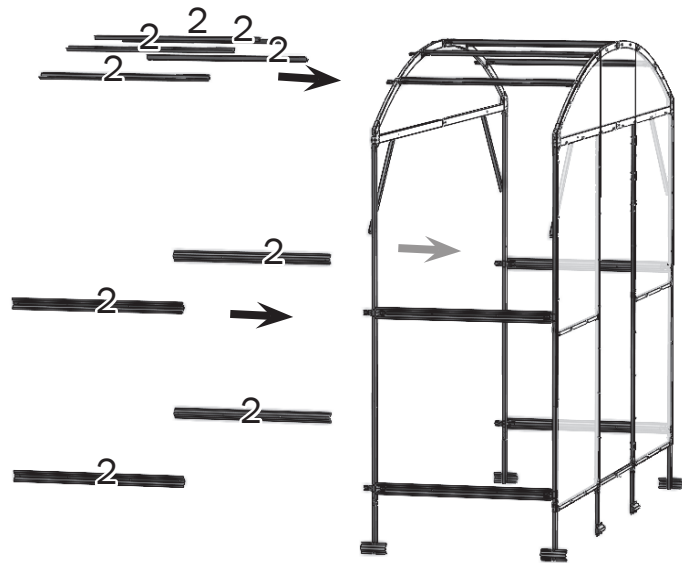
№6 x9



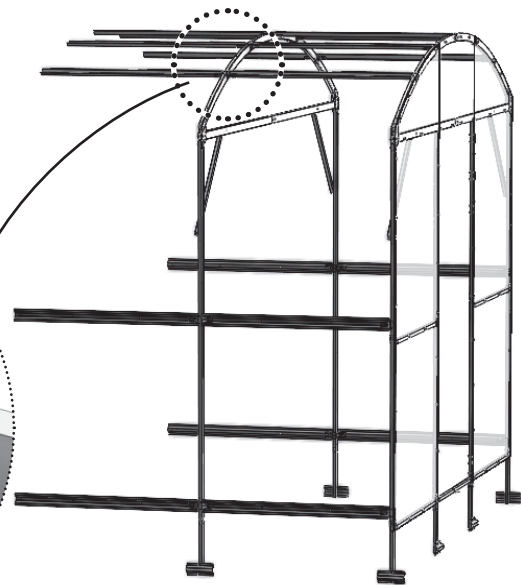
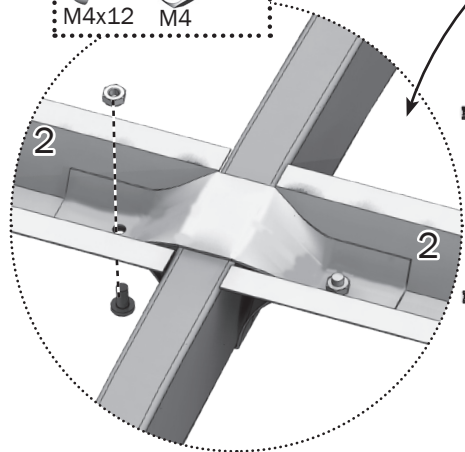
№6 x1
M4x12 M4

5.3

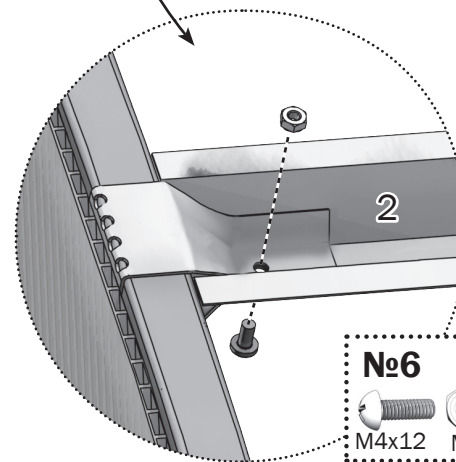
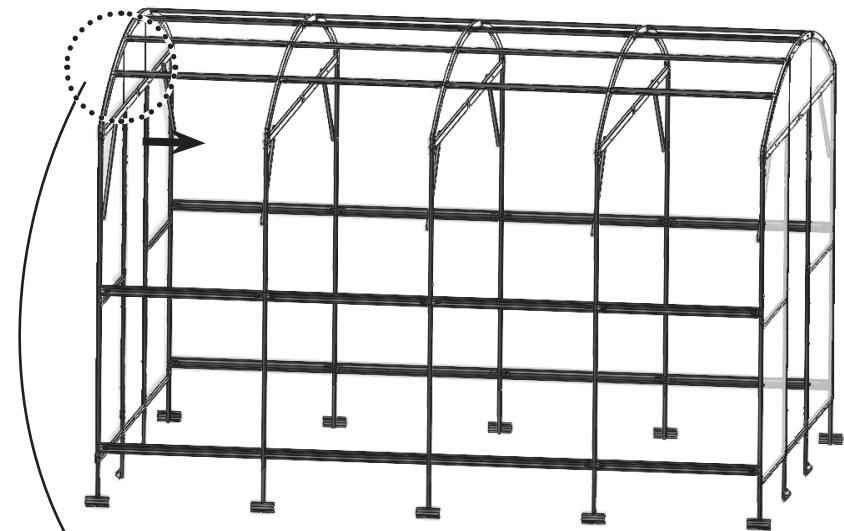
№1
2 x9



№6
M4x12 M4 x1





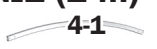



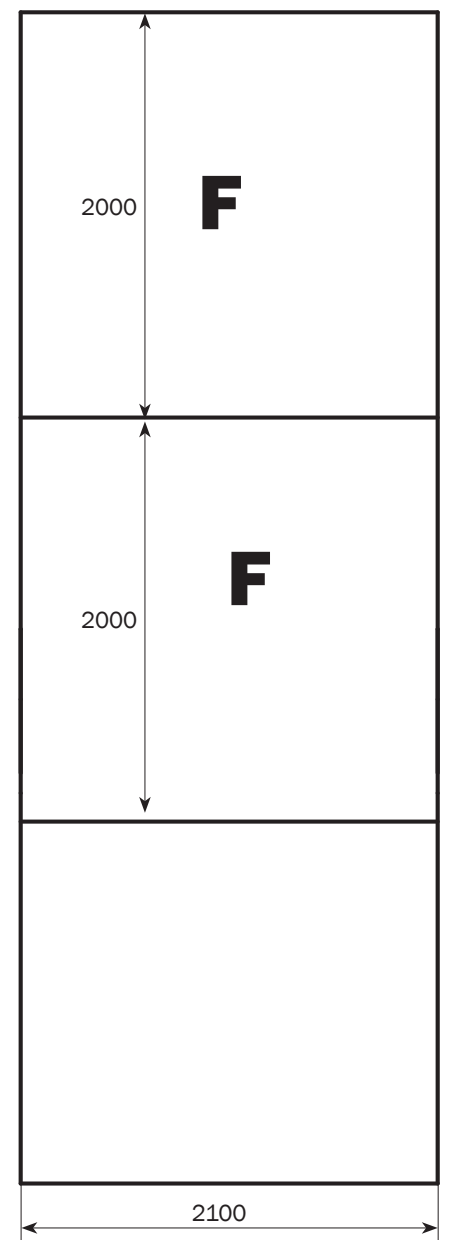
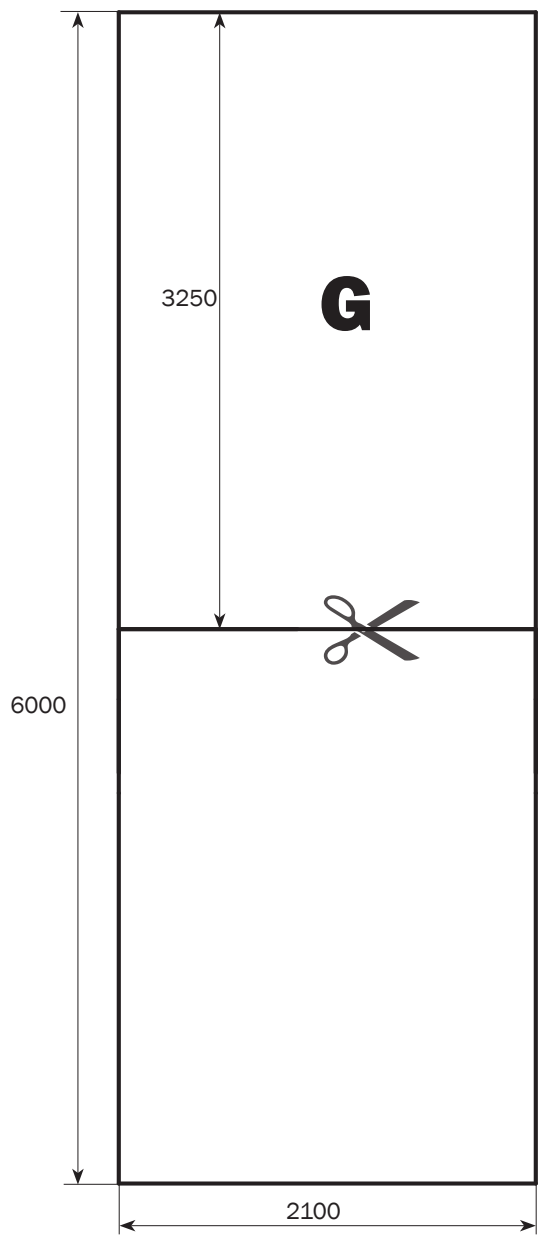
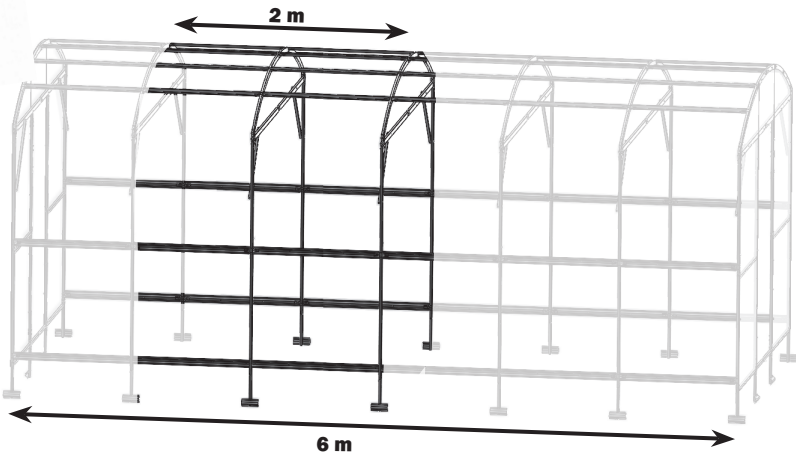
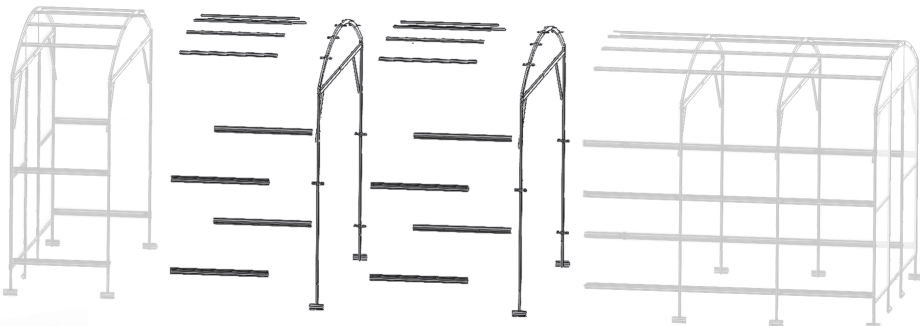
5.4



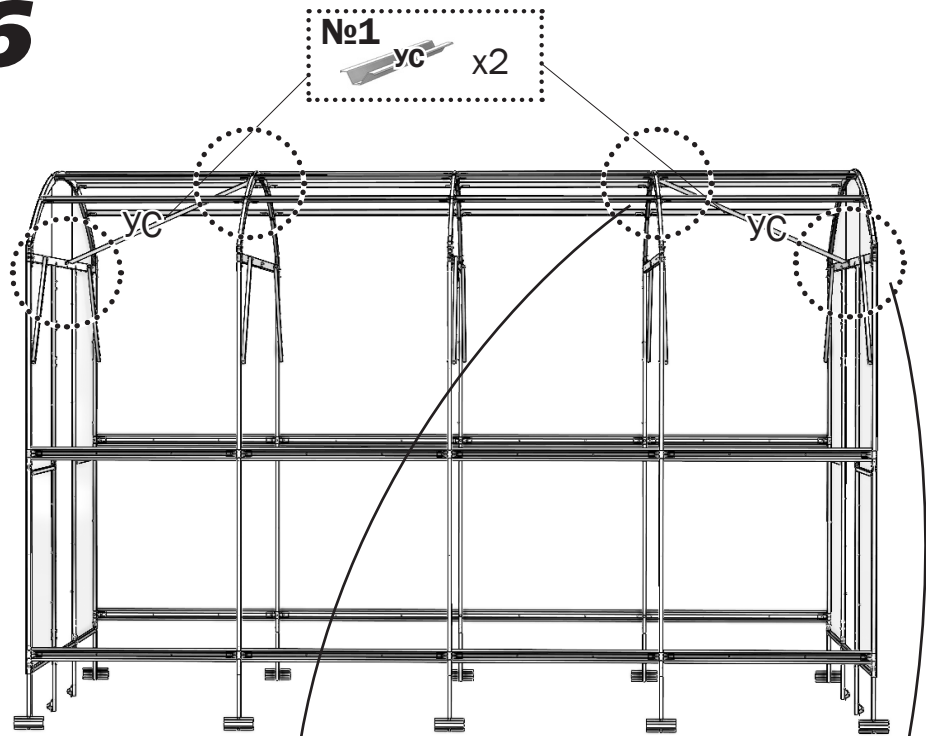
№6
M4x12 M4 x1

5.5

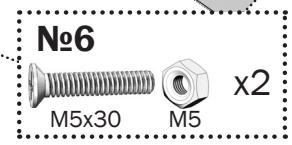
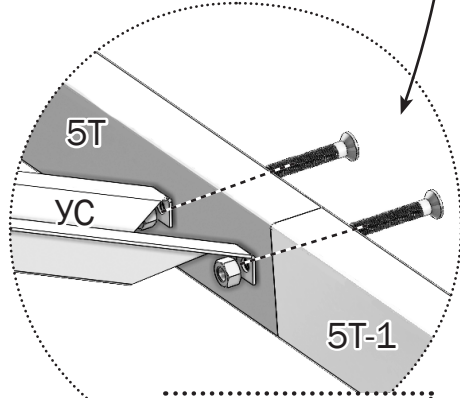
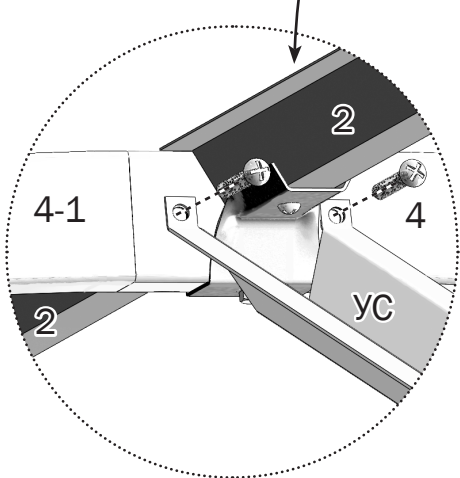
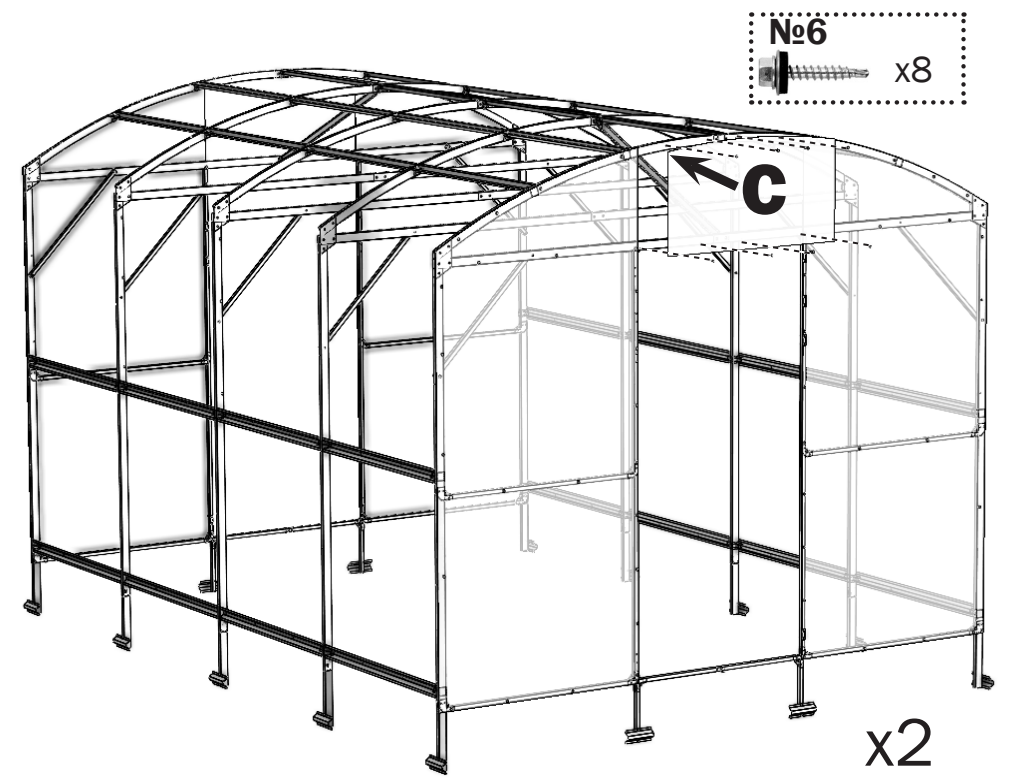
- №1 (2 m)  x18
- №3 (2 m)  x4
- №3 (2 m)  x2
- №2 (2 m)  x2
- №2 (2 m)  x2
- №3 (2 m)  x2



6

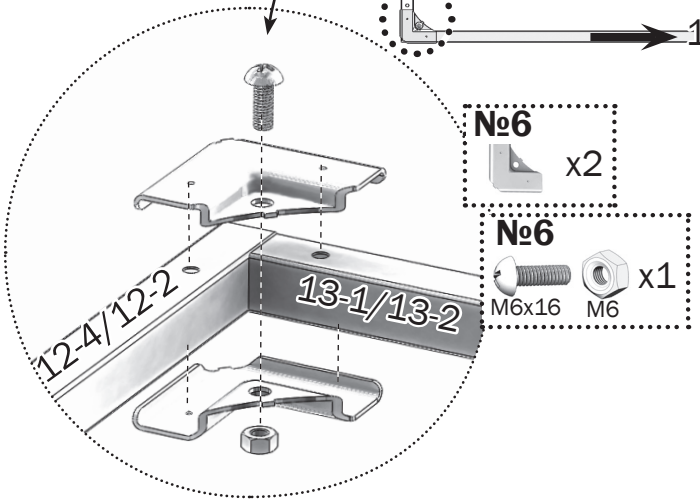
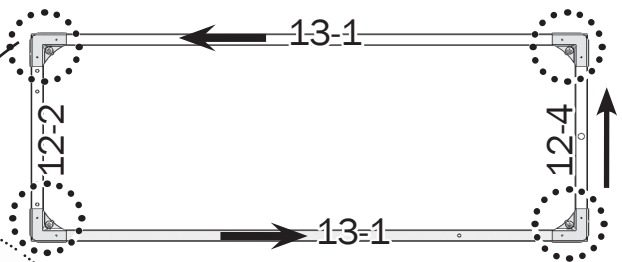


7

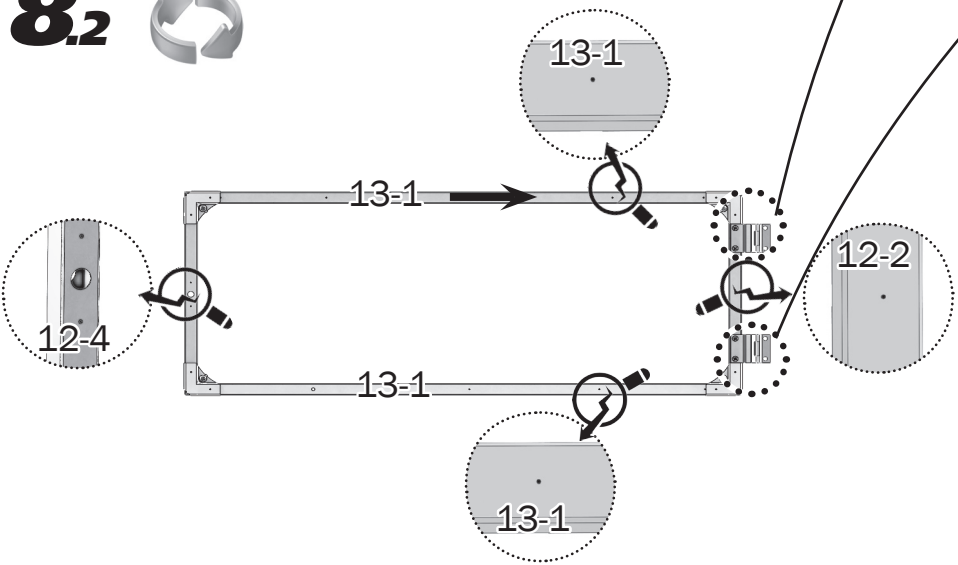


8.1

- No2 12-2 x1
- No2 13-1 x2
- No2 12-4 x1



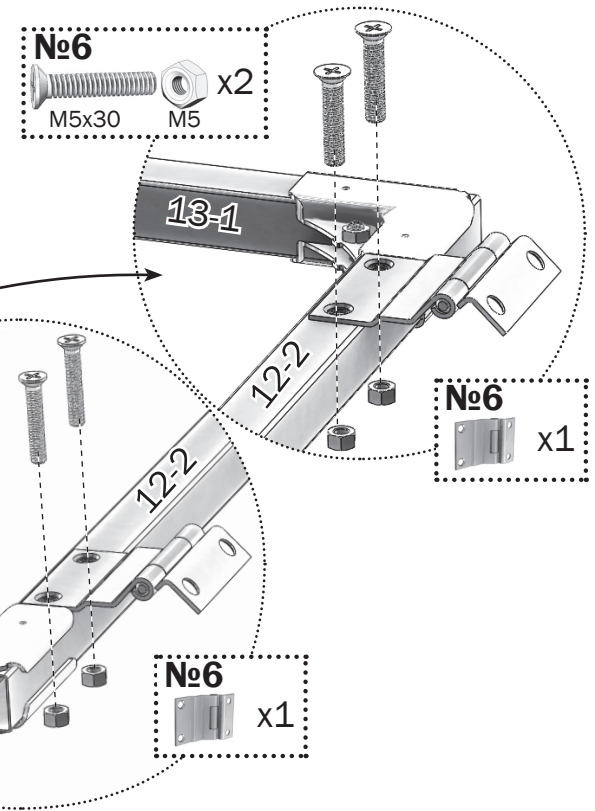
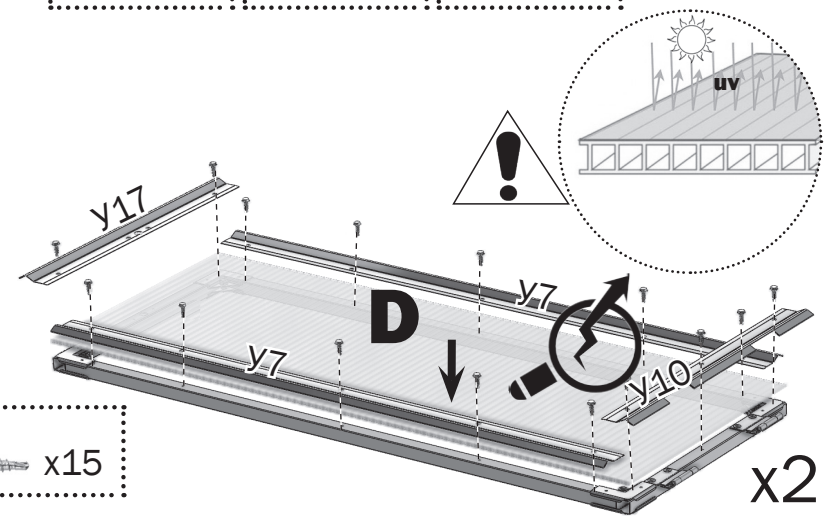
8.2



8.3

- No5 y7 x2
- No5 y10 x1
- No5 y17 x1

- No6 x15



9.1

№2 12-1 x1

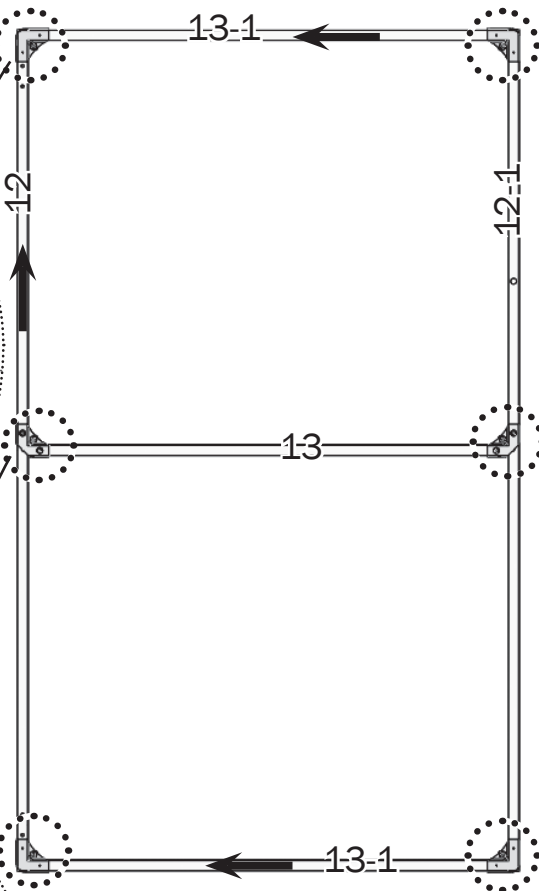
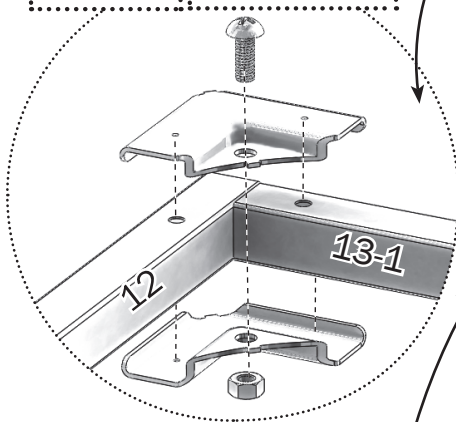
№2 13 x1

№2 12 x1

№2 13-1 x2

№6 x2
M6x16 M6

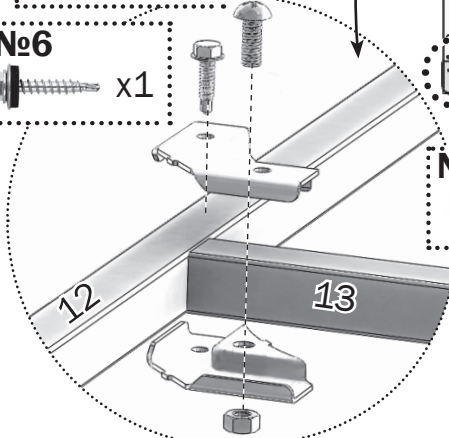
№6 x1
M6



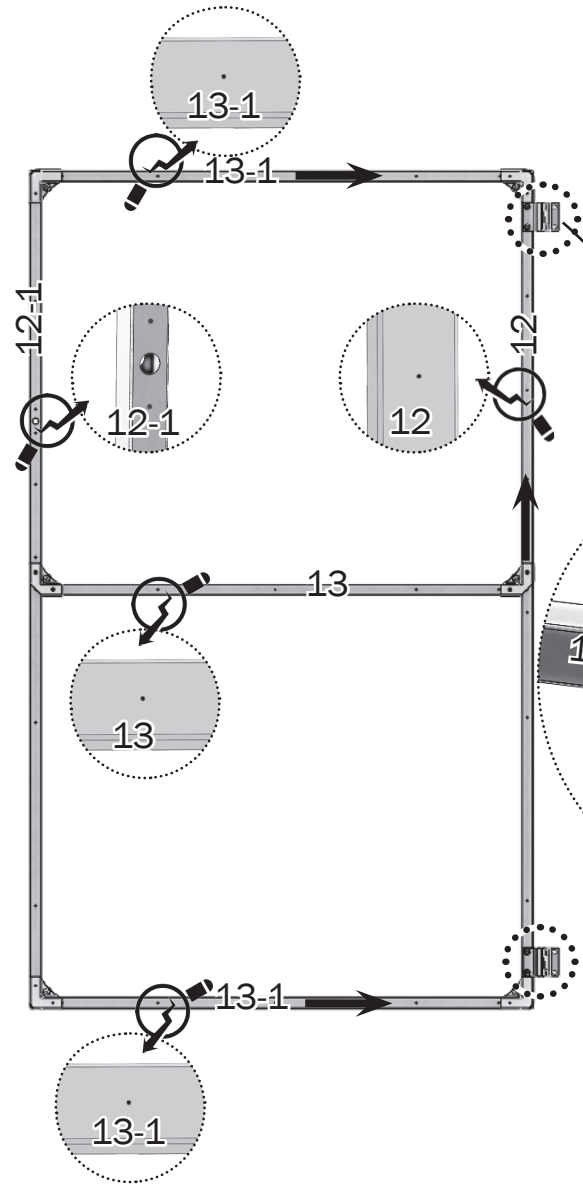
№6 x1
M6x16 M6

№6 x1

№6 x2

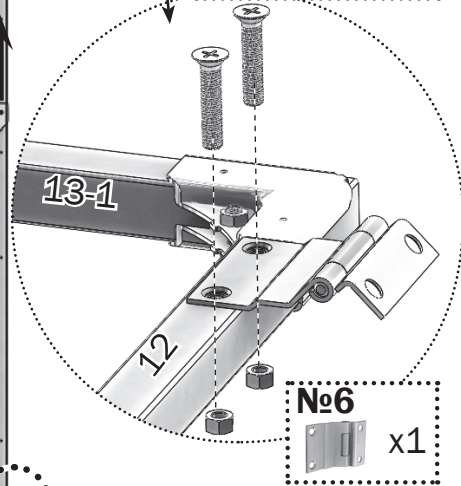


9.2



№6 x2
M5x30 M5

№6 x1



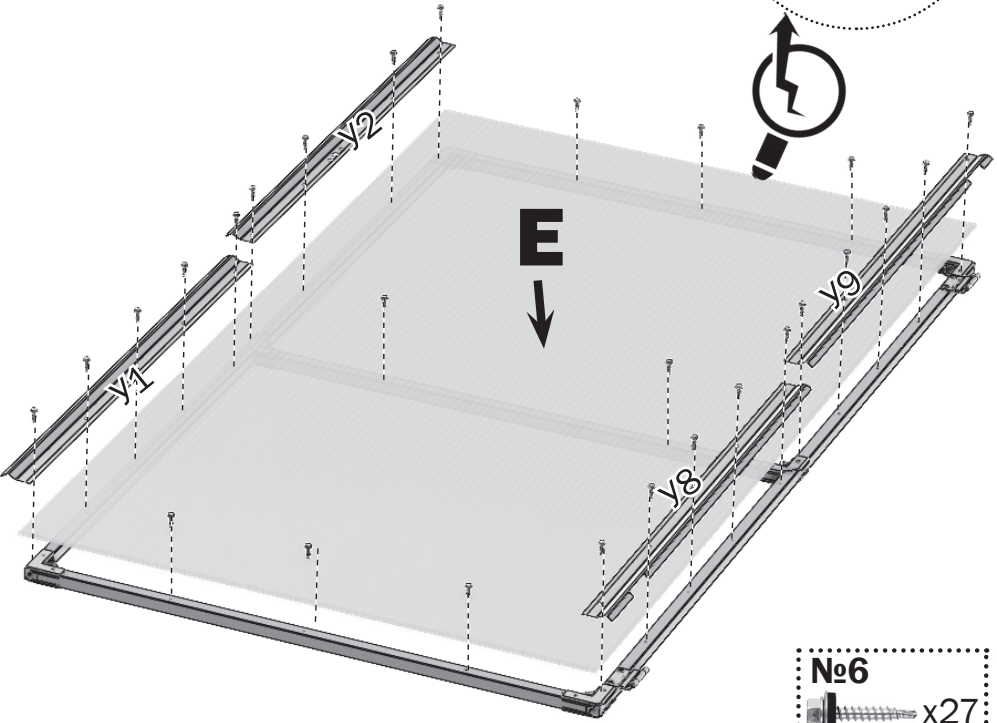
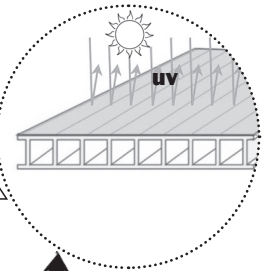
9.3

№5
y1 x1

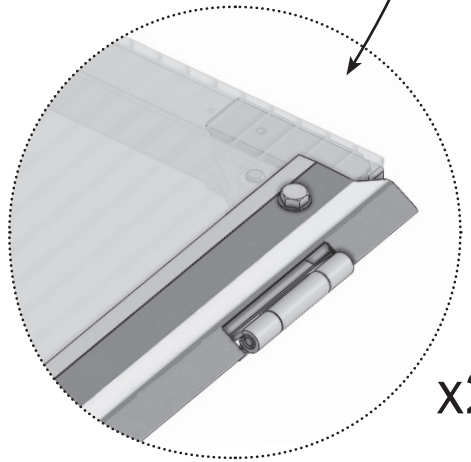
№5
y2 x1

№5
y8 x1

№5
y9 x1

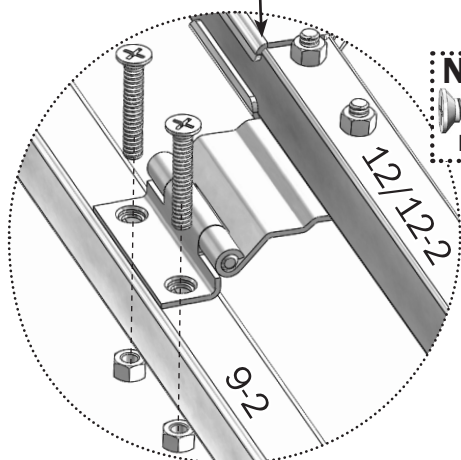
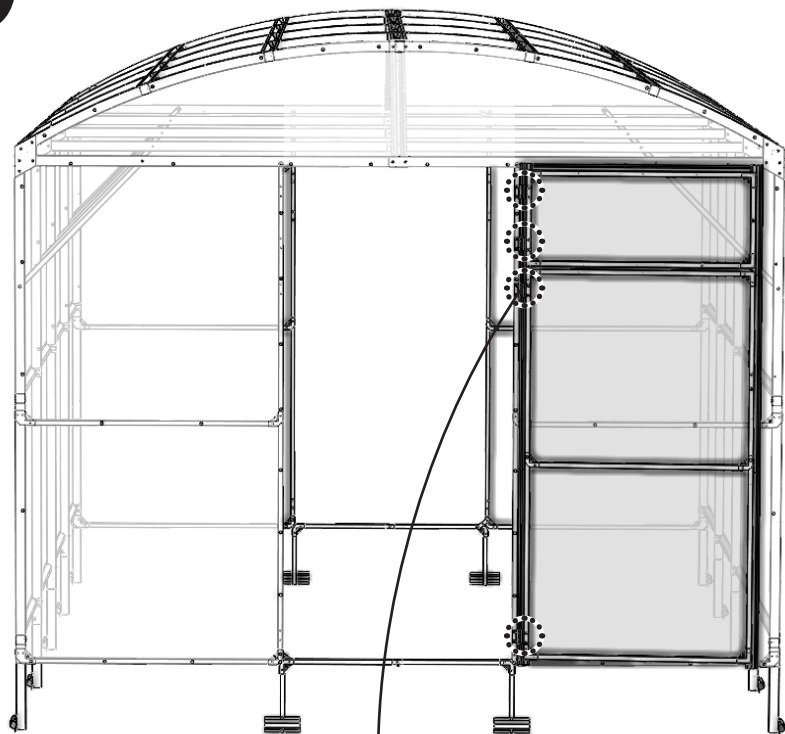


№6
x27



x2

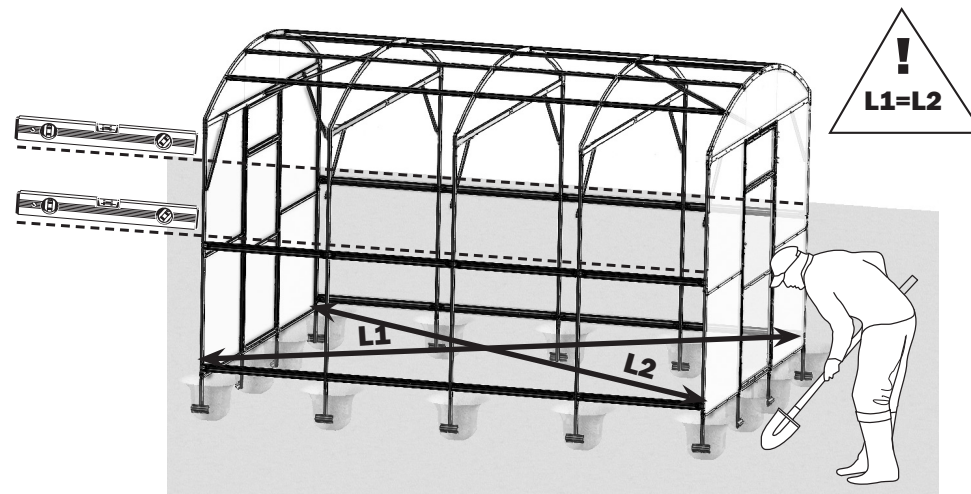
10



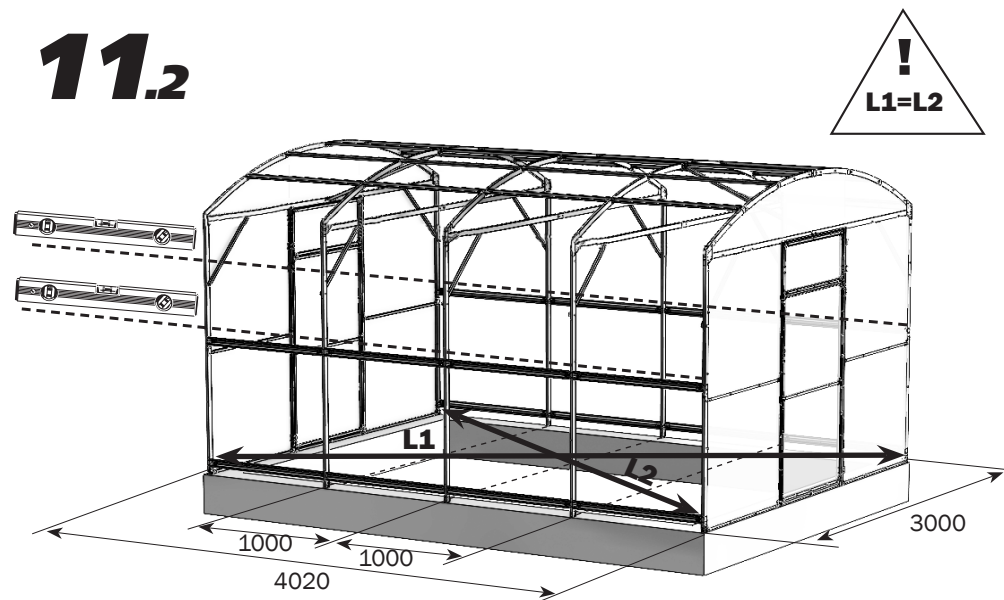
№6
M5x30 M5 x2

x2

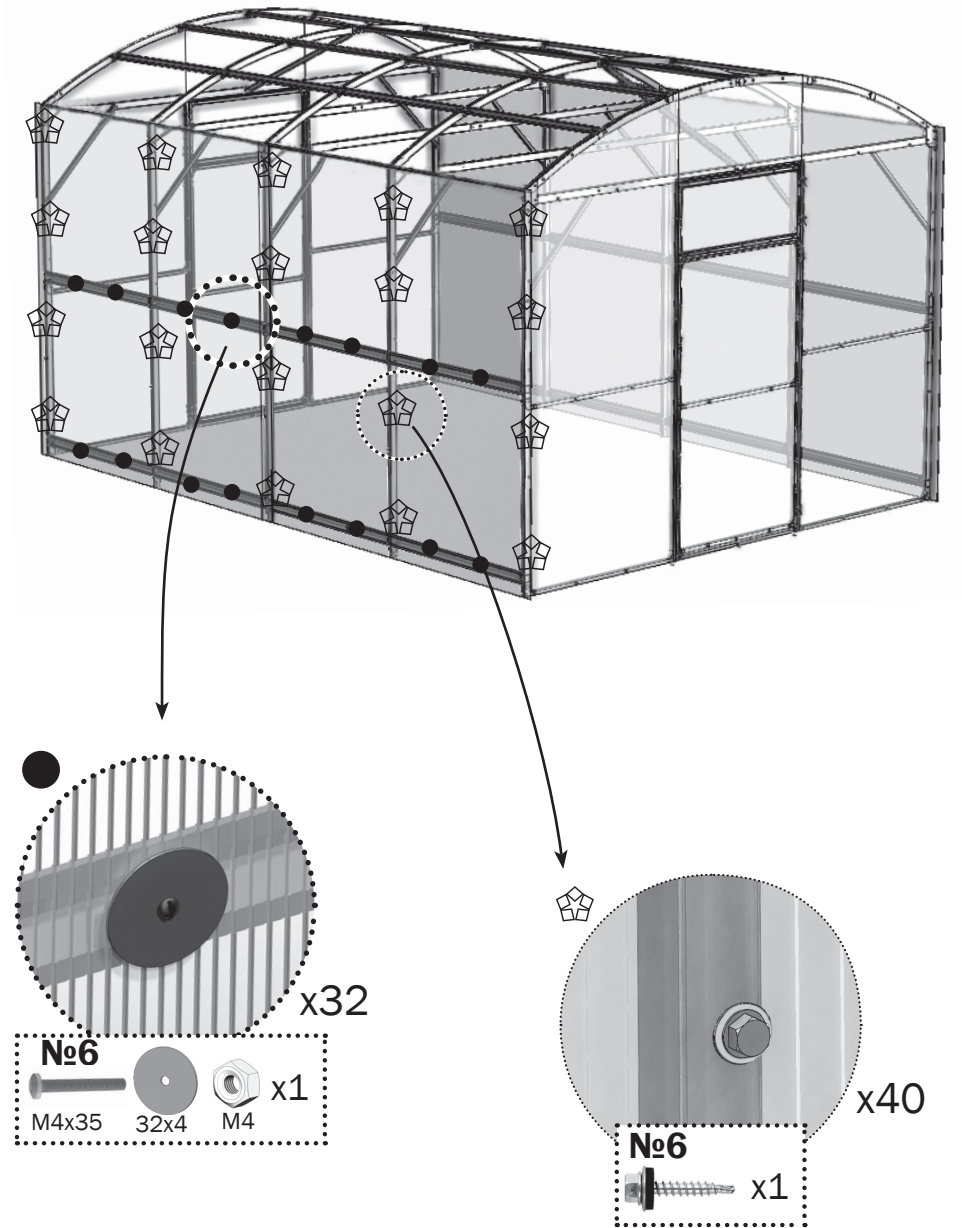
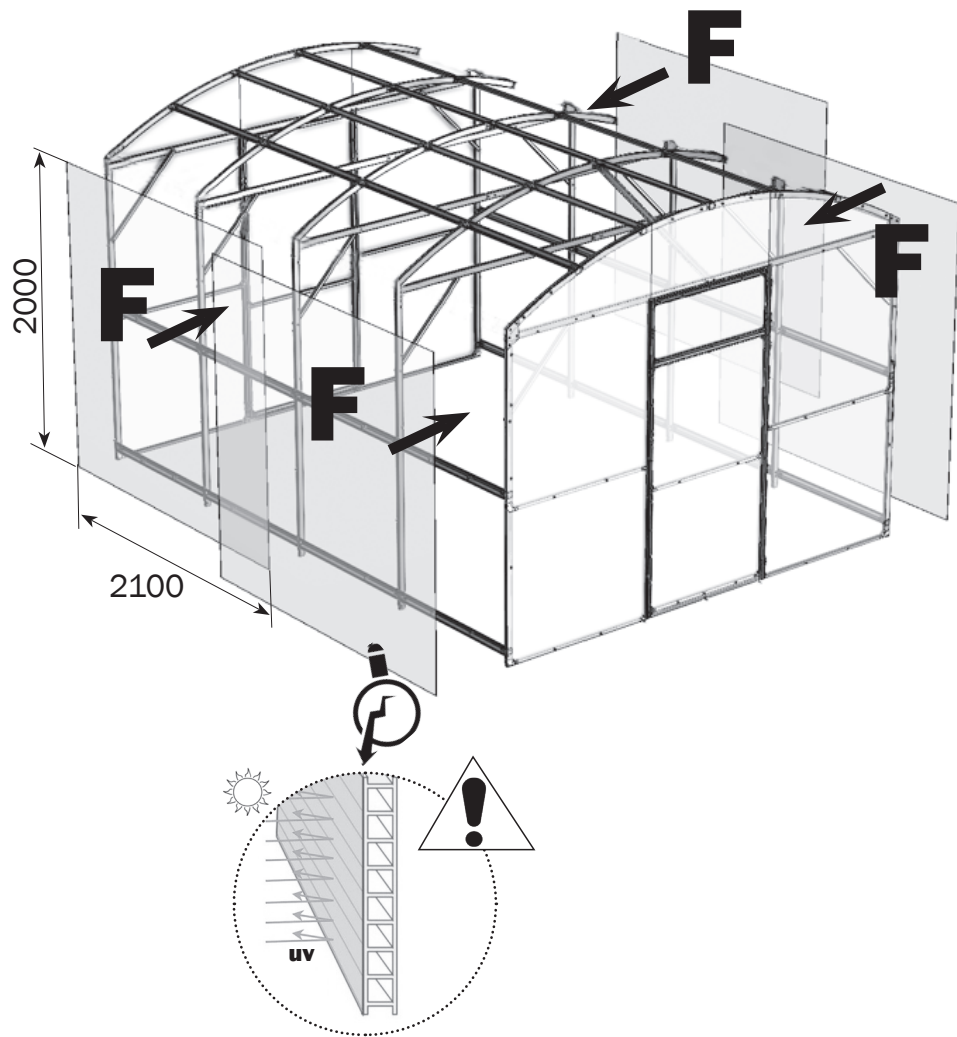
11.1



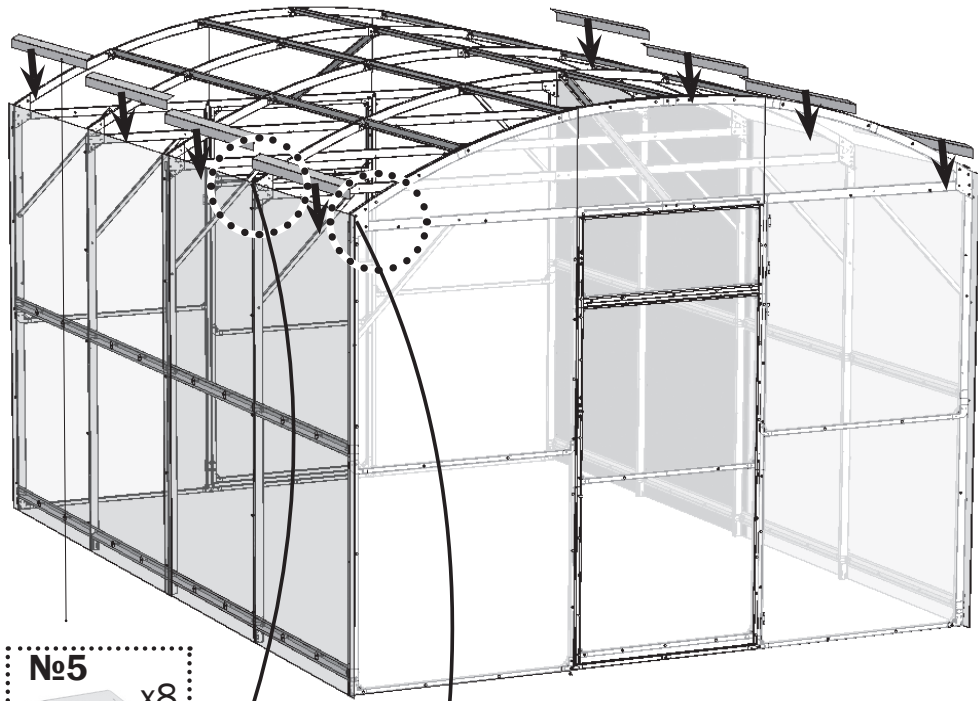
11.2



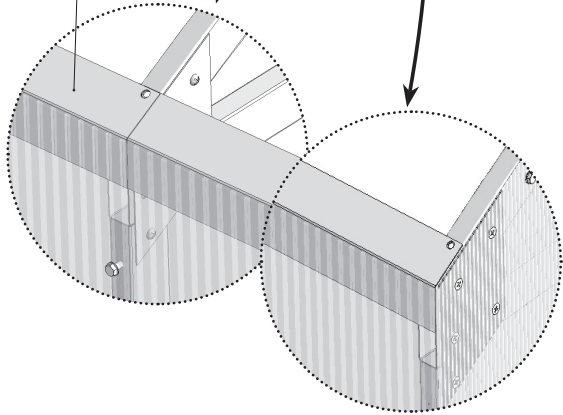
12.1



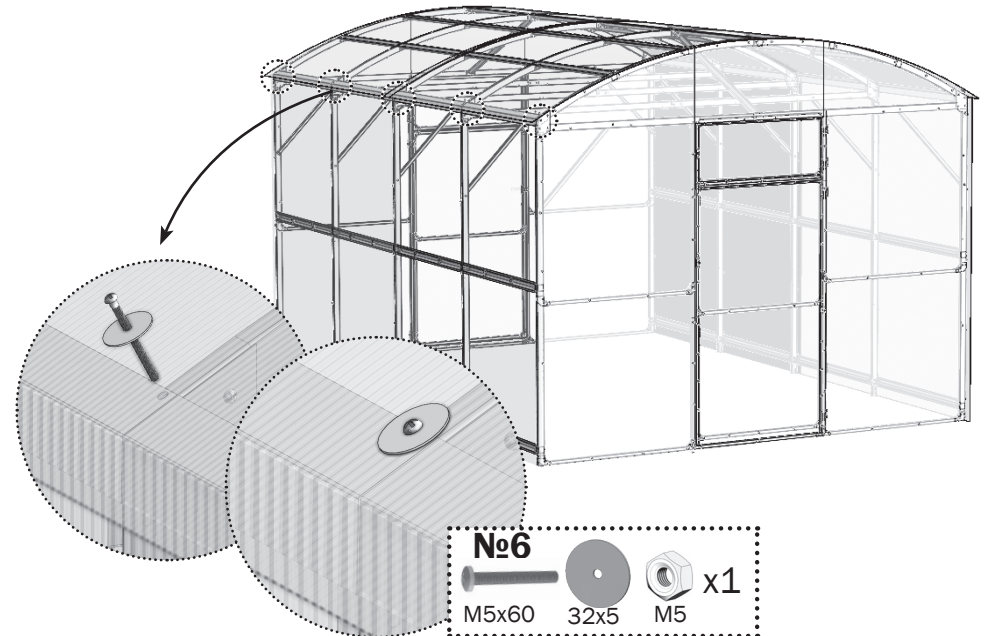
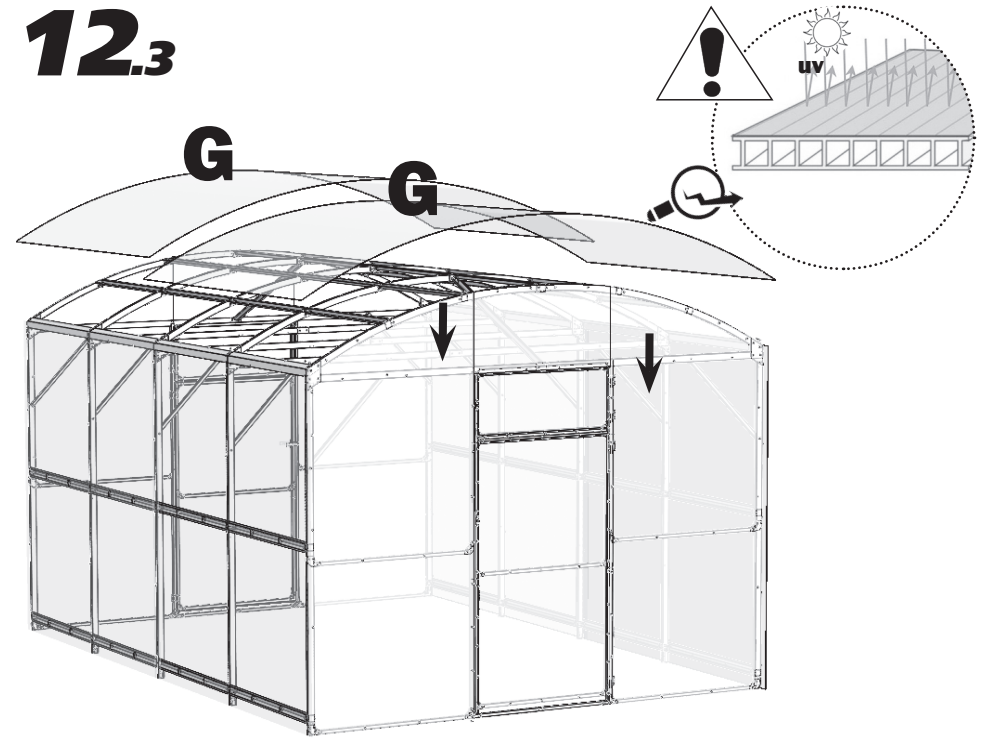
12.2



№5 x8

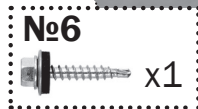
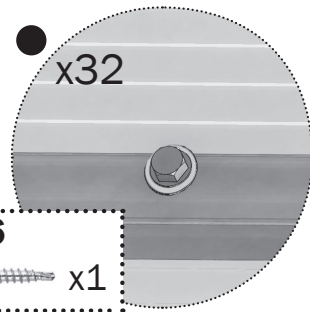
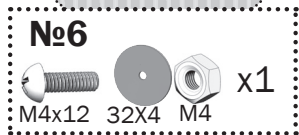
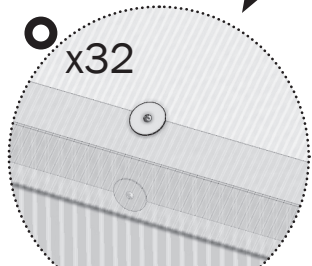
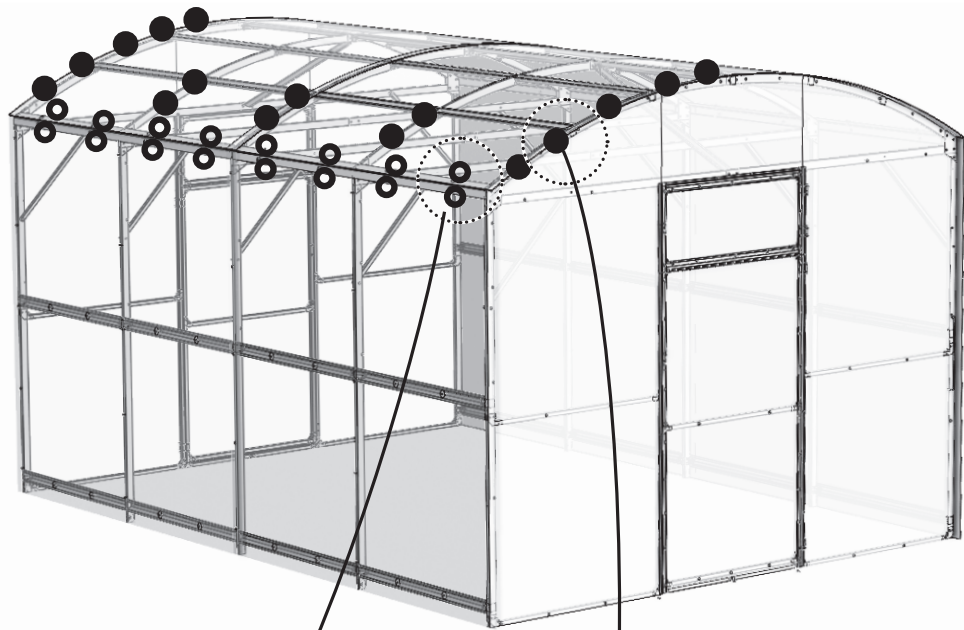


12.3

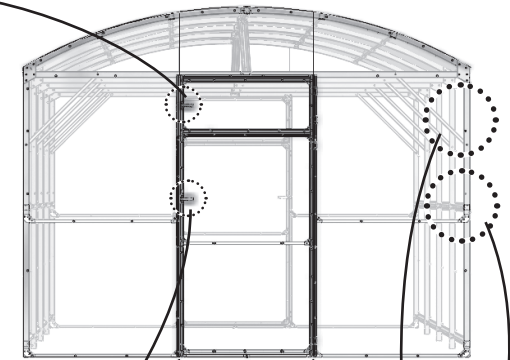
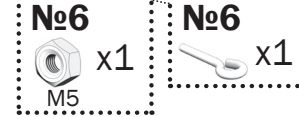
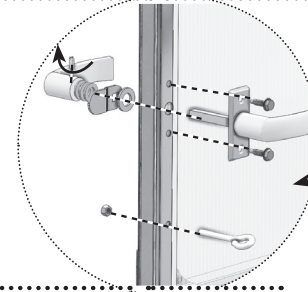


№6
M5x60 32x5 M5 x1

12.4



13



x2

